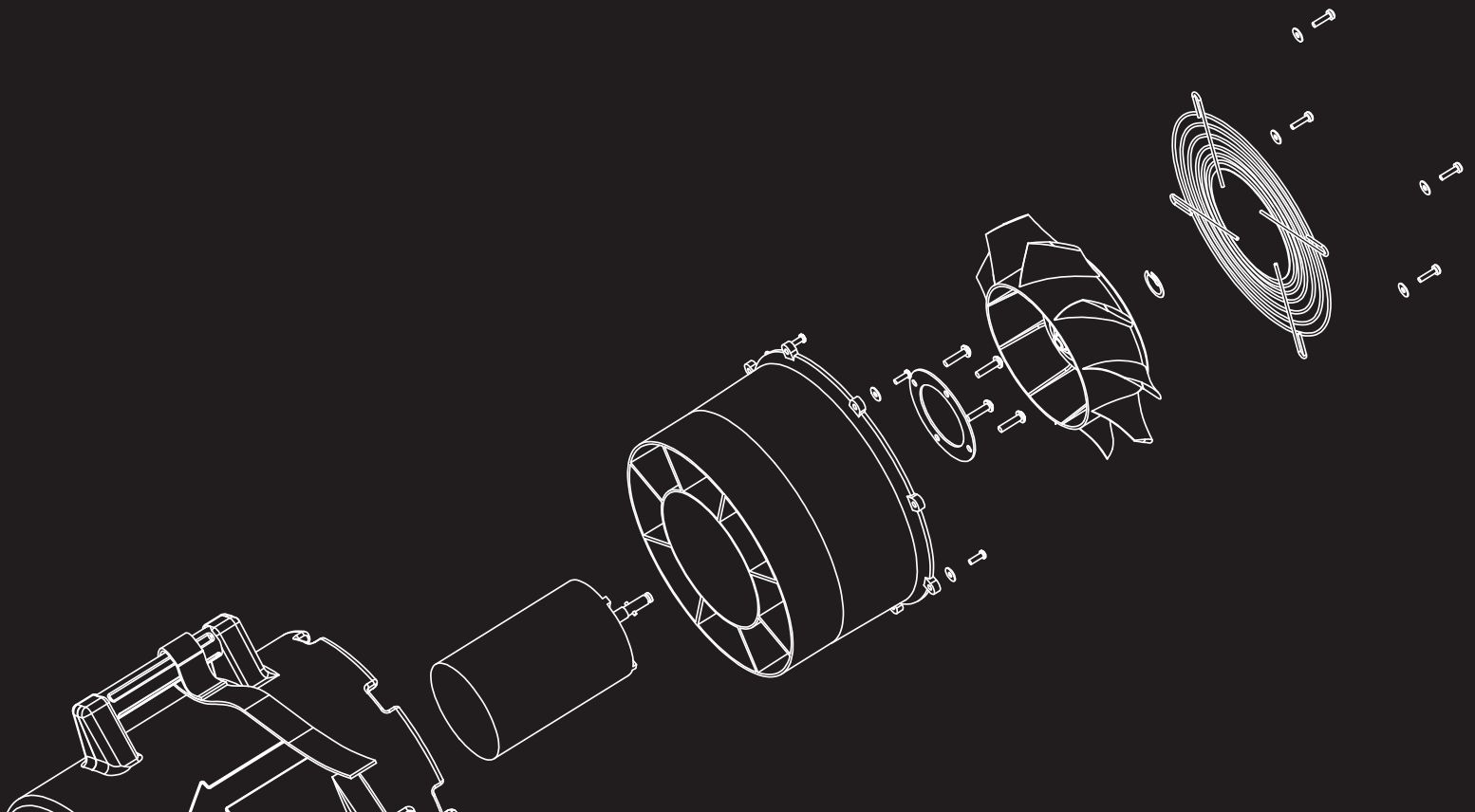
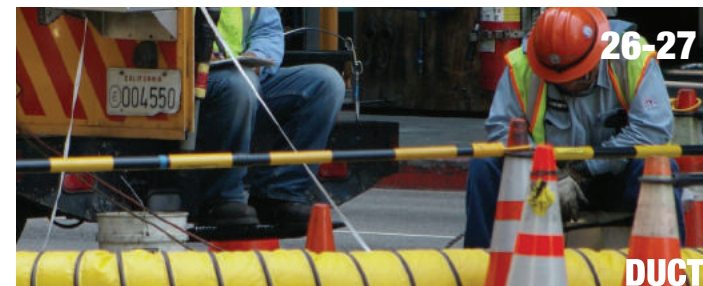


RAMFAN[®]

WORKPLACE SAFETY VOL.19





ABOUT US	4	ELECTRIC BLOWERS	18-23
FLOWPATH™ CONTROL	5	SMOKE EJECTORS	24-25
APPLICATIONS (Overview)	6	DUCT	26-27
HOW TO CHOOSE A FAN	7	PART NUMBER MODELS/ACCESSORIES	28-31
VENTILATION KITS	10-13	SERVICES	32
CONFINED SPACE RESCUE	14-17		



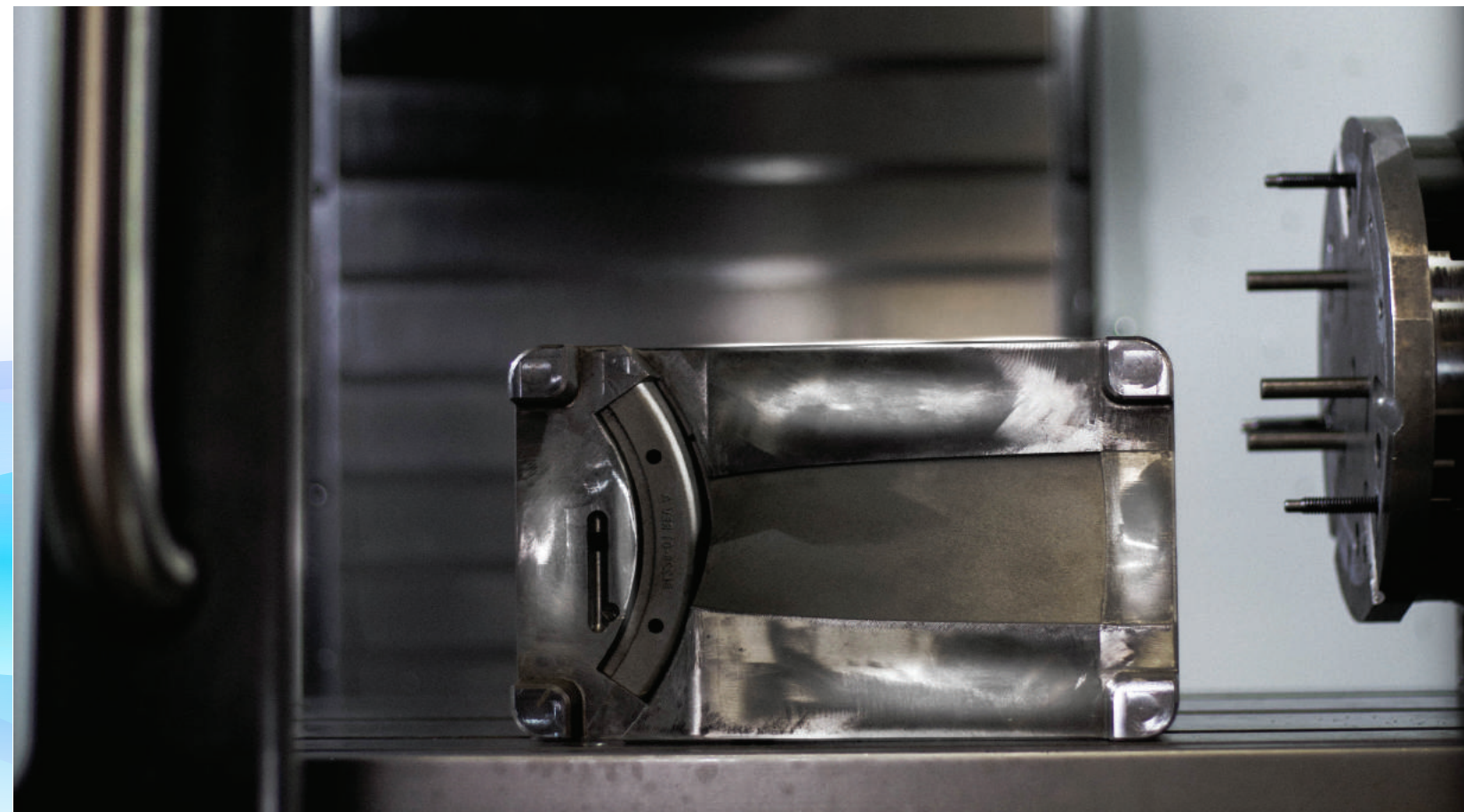
GLOBAL STRENGTH. LOCAL EXPERTISE. AT YOUR SERVICE.

Euramco Group is headquartered in San Diego, CA in the US with offices in Europe, Middle East, and Asia. We've acquired highly talented employees from around the world to lead the way in development of rotating machinery to control the flow of air to make tough job sites safer.

The world is diverse with different requirements, regulations and procedures in each region. We cater our offerings to the local market, which are guided by experts in the region providing intelligence on what is needed in their markets.

We are at your service. We offer an extended warranty on products, not because we should, but because we believe in the quality of our products and stand behind them. Field service engineers are available to help discuss how our products that you purchased can be used. Competent sales engineers are ready to support via phone or email. Whether you are a first-time customer or still using our reliable products sold decades ago, we've always sought to provide the best service.

EUROPE NORTH AMERICA ASIA MIDDLE EAST



FLOWPATH™ CONTROL

A fluid is anything that flows; usually a liquid or gas. And, its motion and state can be specified in terms of the velocity and pressure. Since our company's inception, we've dedicated ourselves to engineering fans and pumps to use the physics of fluid dynamics to our advantage. Whether controlling air movement through a ship's passageway at high pressure to remove heat and contaminants from below deck, or pumping water through a hose line to deliver an extinguishing agent through an industrial firefighting apparatus, the foundational physics are the same. This specialized focus on expanding the possibilities of fluid movement is at the core of our daily work, and at the core of every product we engineer. We call it FlowPath Control.



**Euramco
Group**

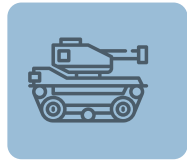
THE INDUSTRIES



Manholes



Tunnels



Tanks



Silos



Vats



Rail Cars



Tents/Shelters



Other



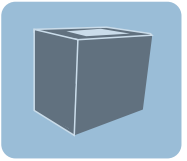
Crawl Spaces



Factories



Aircrafts



Utility Vaults

RAMFAN® combines high performance turbofan design with high strength polymers to create a line of rugged, portable turbo blowers. The UB-Line is ideal for general use, confined space ventilation and delivers the highest airflow in its class. The double-wall, polyethylene casing is light-weight corrosion, and chemical resistant. It can handle the bumps and falls of any job site.

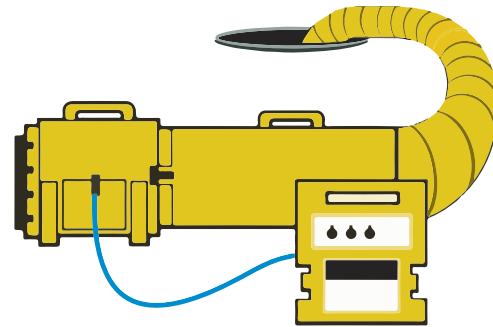


ENERGY POWER



ELECTRIC

Clean Atmosphere.
Quick Operation.



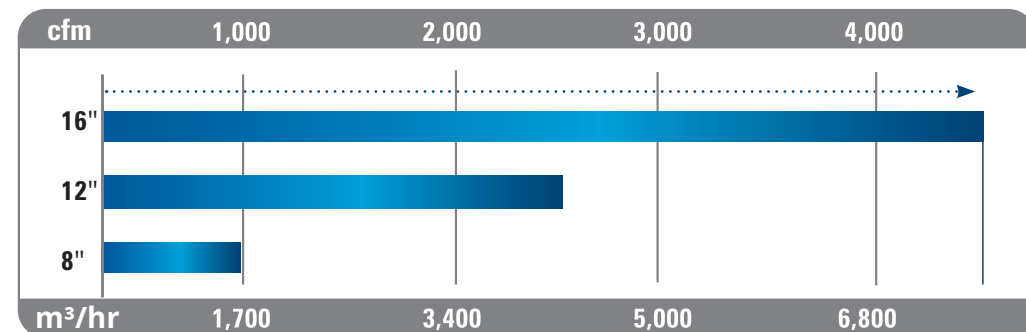
BATTERY

Clean Atmosphere.
Quick Operation.
Portable.

AIRFLOW REQUIREMENTS

You will need a fan that is capable of ventilating structures in your response area. Airflow performance is determined by impeller design, impeller diameter, and input power. We engineer each impeller for the motor it's built with. For our electric fans, we build the motors, which give us full control to meet our performance targets. We manufacture the most efficiently powerful fan impellers in the industry.

DUCTED AIRFLOW

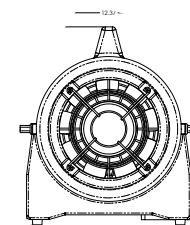


SIZE REQUIREMENTS

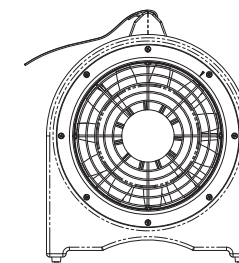
Increasing a fan's size or input power will increase the airflow. However, a large fan powered by a large motor will weigh more and take up more compartment space.



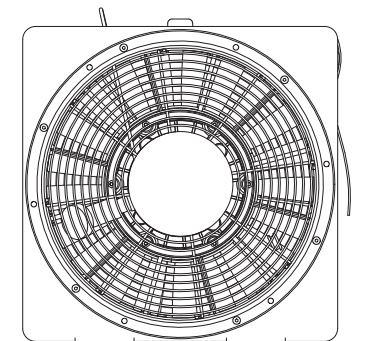
NOMINAL SIZES



8"
20CM



12"
30CM



16"
40CM

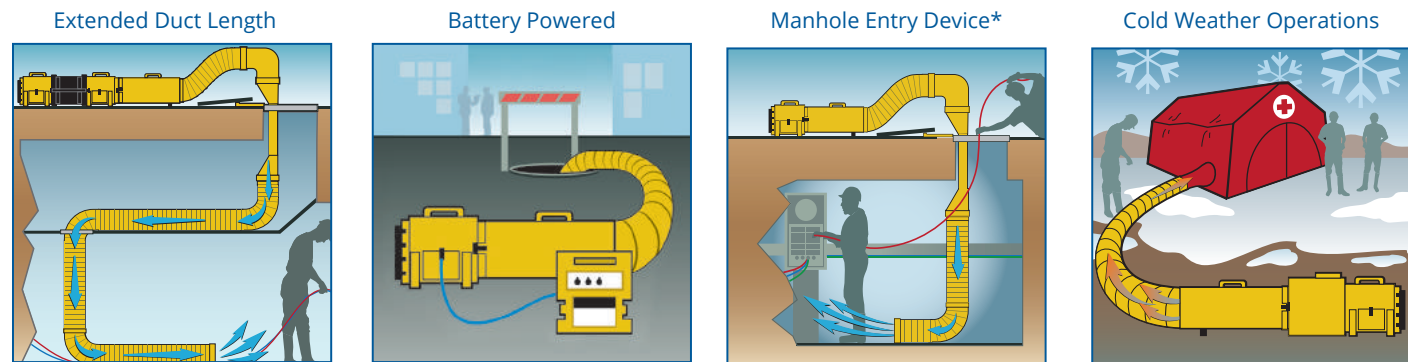


VENTILATION KITS

ALL-IN-ONE SYSTEMS



Kits contain the required equipment for confined space ventilation to eliminate the guesswork when placing an order. Ensure you have the ventilation equipment you need by ordering kits that contain the fan and accessories specific to your confined space operation.



*UB30 Compatible with Reducer Accessory



UB20 M.E.D.™ Ventilation System Manhole Entry Device

The M.E.D.™ allows workers to enter and exit small man-size openings while maintaining continuous ventilation. Without such a device, duct fills the manhole opening, which prevents proper rapid entry and exit. Tightly integrated into the UB-Line of confined space ventilation equipment, the RAMFAN M.E.D.™ system is quick to assemble, and the new swiveling elbow makes duct alignment easy.

Battery Pak System UB20 (12V DC) with Pak & Charger

RAMFAN Battery Pak with dual high-low speed control to quickly purge the area then maintain fresh air for the entire work shift. Power fan for 2.5 hours on high setting or extend up to 8 hours on low setting. Built in charger to fully recharge in 12 hours. Alternatively, the fan can be powered by a vehicle battery with supplied connectors.

- High-low control enables rapid purge with on high speed and maintaining a safe work space on low speed
- Up to 8 hours of continuous operation
- Lightweight and portable



UB20 Turbo-Couple™

Quickly connect two or more RAMFAN UB20 axial blowers in series increases airflow up to 50% when blowing through long and windy duct runs. Long, windy duct runs need more power and pressure to deliver sufficient airflow—a costly proposition. The Turbo-Couple™ delivers what is needed by quickly joining two or more UB20's in the series.



UB20 In-Line Heating System

Easily connect the UB20 In-Line Heater to heat confined spaces, command centers or rescue shelters for up to 8 hours. Delivers up to 55,000 BTU of safe, warm breathable air.

- **Each Heater System Includes:** UB20, heater w/ propane regulator and connection assembly, duct and remote thermostat
- For tent/shelter or confined space heating
- Airflow can cycle with heat or run continuous for confined space ventilation
- Up to 8 hours continuous operations with standard propane cylinder tank
- Heater attaches quickly and easily to UB20 Blower

AIRFLOW	
Free Air	947 cfm (1,610 m ³ /hr)
Through Duct	
15'/4.6 m w/ no turns	520 cfm (884 m ³ /hr)
15'/4.6 m w/ one 90° turn:	485 cfm (825 m ³ /hr)
15'/4.6 m w/ two 90° turns:	467 cfm (794 m ³ /hr)

Quick-Couple™ Reversible Canister

Stores and protects attached duct from rips and tears. Quick and easy to attach or detach the canister to UB20 to blow or exhaust air from an area. Available with 15' (4.6 m) or 25' (7.6 m) duct lengths.

- 15' (4.6 m) blower w/canister
14h x 12w x 31.5d in 35.6h x 30.5w x 80d cm
- 25' (7.6 m) blower w/canister
14h x 12w x 41.5d in 35.6h x 30.5w x 105d cm



Duct & Carrying Bag

Length Options 15'/4.6 m or 25'/7.6 m | Diameter 8"/20 cm
Non-Collapsible reinforced duct is flame retardant. Each duct comes with its own bag.



CONFINED SPACE RESCUE

EMERGENCY RESPONSE



In addition to general risks, confined space rescues require additional considerations because there is a danger of asphyxiation (lack of oxygen), poisoning, or fire and explosion. 90% of worker injuries and fatalities in confined spaces are the results of atmospheric hazards. A fan can be used during a confined space rescue to combat these risks. A fan capable of positive and negative pressure ventilation is ideal. Whole unit certified explosion-proof ventilators, such as the RAMFAN UB20xx, are the safest equipment to use in hazardous locations. They prevent a source of ignition in flammable environments.

Kits contain the required equipment for confined space rescue operations to eliminate the guesswork when placing an order. Ensure that you have the ventilation equipment in which you need by ordering kits that contain the fan and accessories specific to your confined space rescue scenario.



M.E.D.™ Manhole Entry System In Use

UB20 M.E.D.™ MANHOLE ENTRY SYSTEM AC/DC

The M.E.D.™ allows workers to enter and exit small man-size openings while maintaining continuous ventilation. Without such a device, a duct fills the manhole opening, preventing rapid entry and exit.

UB20XX M.E.D.™ MANHOLE ENTRY SYSTEM AC/DC

The explosion-proof UB20xx System utilizes high strength polymers with an anti-static housing designed to discharge static build-up safely. The M.E.D.™ allows workers to enter and exit small man-size openings while maintaining continuous ventilation.

TWO STAGE CONVERSION

Quickly connect two or more RAMFAN UB20 axial blowers in the series, which increases the airflow up to 50% when blowing through long and windy duct runs. Long, windy duct runs need more power and pressure to deliver sufficient airflow—a costly proposition. The Turbo-Couple™ delivers what is needed by quickly joining two or more UB20's in series.

BATTERY PAK SYSTEM UB20 (12V DC) WITH PAK & CHARGER

RAMFAN Battery Pak with dual high-low speed control to quickly purge the area, and then maintain fresh air for the entire work shift. Power fan for 2.5 hours on high setting or extend up to 8 hours on low setting. Built-in charger to fully recharge in 12 hours. Alternatively, the fan can be powered by a vehicle battery with supplied connectors.

UB20 IN-LINE HEATING SYSTEM

Easily connect the UB20 In-Line Heater to heat confined spaces, command centers or rescue shelters for up to 8 hours. Delivers up to 55,000 BTU of safe, warm breathable air.



UB20 M.E.D.™ MANHOLE ENTRY SYSTEM

- Order# ED7015-MED UB20 Manhole Entry System - 115V powered blower
- Order# ED8015-MED UB20 Manhole Entry System - 240v powered blower
- Order# ED9015-MED UB20 Manhole Entry System - 12VDC powered blower



UB20xx M.E.D.™ MANHOLE ENTRY SYSTEM

- Order# EF7015-MEDXX UB20XX Manhole Entry System - 115V powered blower
- Order# EF8015-MEDXX UB20XX Manhole Entry System - 240V powered blower



BATTERY PAK SYSTEM UB20 (12V DC) PAK & CHARGER

- Order# ED9002-BAT UB20 Battery Pack System - 12VDC battery powered blower, battery pack/charger



TWO STAGE CONVERSION

- Order# ED7300 UB20 High Pressure Turbo-Coupler



UB20 IN-LINE HEATING SYSTEM

- Order# ED7125 HT UB20 In-Line Heater System For Tent/Shelter Heating

ACCESSORIES AVAILABLE FOR ADDITIONAL ACCESSORY INFORMATION SEE PAGES 42-51



UB20 WITH DUCT AND CANISTER



STANDARD DUCT WITH STORAGE BAG



***UB20XX WITH DUCT AND CANISTER**



***ANTI-STATIC DUCT WITH STORAGE BAG**

*PLEASE REFER TO 2019 HAZLOC CATALOG FOR INFORMATION UB20XX AND ACCESSORIES



ELECTRIC BLOWERS

LIMITED OPENINGS FOR ENTRY



Use the UB-Line of blowers to ventilate a permit-required confined space to comply with OSHA Standards 29 CFR 1910.146(c)(5)(ii)(E) stating that continuous forced air ventilation shall be used. Confined Space refers to a space which, by design, has limited openings for entry and exit, unfavorable natural ventilation which could contain or produce dangerous air contaminants, and which is not intended for continuous employee occupancy.



UB20
8"/20 cm

UB20 12VDC
8"/20 cm



UB30
12"/30 cm

Models	Cable Lengths	Plug Types	Motor Part #	Certifications
UB20	AC: (115V) 15'/4.6m, 16AWG/1.5mm ² , (230V) 4.6m, 1.5mm ²	AC: 15A NEMA 5-15P	EM-F.33-115/230V	
	DC: 15'/4.6m, 12AWG	AC: 16A Schuko, battery clips		
UB30	15'/4.6m, 16AWG/1.5mm ²	(115V): 15A NEMA 5-15P (230V): 16A Schuko	EM-F.62-115/230V	

* AC Motors Only
 IMPA Codes:
 EJ4002 - 591403
 EJ8002 - 591407
 EA8000/EA8000-230 -591502

UB20

The 8"/20 cm UB20 turbo blower is at the heart of the RAMFAN industrial ventilation systems that provide you with the complete solution for common confined space ventilation applications. The multi-purpose blower and exhauster delivers powerful airflow in a compact and lightweight package.

UB30

The UB30 is durable, easy to maintain and versatile blower or exhauster with greater airflow than the UB20 for larger confined space applications. Its stackable design feature is convenient for storing multiple fans. Optional 8" (20 cm) duct reducer accessory to connect to smaller diameter duct. Compatible with UB20 M.E.D™ System.

SPECIFICATIONS

Models	Order	Free Air	Air Through 15' (4.6m) Duct w/ no turns	Air Through 15' (4.6m) Duct w/ one 90° turn	Air Through 15' (4.6m) Duct w/ two 90° turns	Air Through 25' (7.6m) Duct w/ one 90° turn	Air Through 25' (7.6m) Duct w/ two 90° turns	Motor	Power	Amps (Start/Run)	Weight	Dimensions (h/w/d)
UB20	ED7002	980 cfm 1666 m ³ /hr	-	789 cfm 1341 m ³ /hr	666 cfm 1132 m ³ /hr	722 cfm 1227 m ³ /hr	614 cfm 1044 m ³ /hr	0.33 Hp 0.25 kW	115V, 1Φ, 50/60Hz	9.5A/ 2.5A	17 lbs 8 kg	14/14/13 in 36/31/33 cm
	ED8002	819 cfm 1392 m ³ /hr	-	659 cfm 1120 m ³ /hr	558 cfm 948 m ³ /hr	603 cfm 1025 m ³ /hr	510 cfm 867 m ³ /hr		230V, 1Φ, 50/60Hz	4.8A/ 1.3A		
	ED9002 (12VDC)	862 cfm 1,465 m ³ /hr	-	695 cfm 1181 m ³ /hr	586 cfm 996 m ³ /hr	635 cfm 1132 m ³ /hr	537 cfm 912 m ³ /hr	0.25 Hp 0.19 kW		11.5A		
UB30	EJ4002	2420 cfm 4114 m ³ /hr	2250 cfm 3825 m ³ /hr	2050 cfm 3485 m ³ /hr	1875 cfm 3188 m ³ /hr			0.75 Hp 0.56 kW	115V, 1Φ, 50/60Hz	33A/ 8A	37 lbs 17 kg	16/15/16 in 41/38/41 cm
	EJ8002	2017 cfm 3429 m ³ /hr	1650 cfm 2805 m ³ /hr	1500 cfm 2550 m ³ /hr	1376 cfm 2340 m ³ /hr				230V, 1Φ, 50/60Hz	17A/ 5A		

ACCESSORIES AVAILABLE FOR ADDITIONAL ACCESSORY INFORMATION SEE PAGES 28-31



DUCT ADAPTER/REDUCER 12"-8"



ADAPTER/REDUCER (UB30 CONNECTS DIRECTLY TO 12"/30 CM DUCT OR 8"/20 CM DUCT WITH ADAPTER)



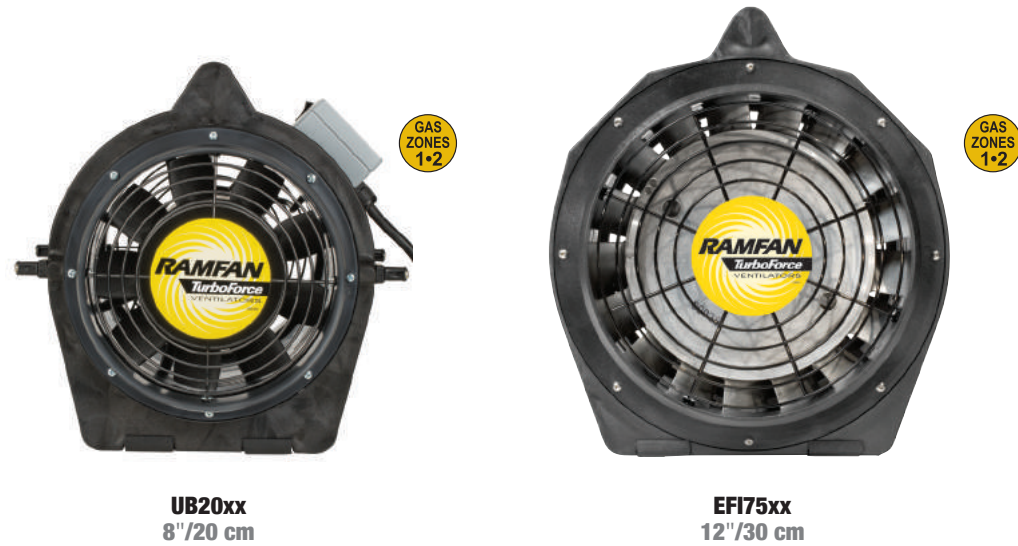
STANDARD DUCT WITH STORAGE BAG



LAYFLAT DUCT



DISPOSABLE DUCT



Models	Cable	Plug Types	Certification String	Certifications
UB20xx	25', 16AWG	ATEX 100/130V	II 2 G Ex de IIB T6 Gb	
	7.6m, 1.5mm2	ATEX 240V		
EFI75xx	25', 14AWG	ATEX 100/130V	II 2 G Ex de IIB T6 Gb	
	7.6m, 2.5mm2	ATEX 200/250V		
EFI50xx	30', 14AWG	NONE	Class I-II Group D, E, F, G (Motor Only)	
	9m, 2.5mm2			
EFI120xx	7.6m, 2.5mm2	ATEX 100/130V	II 2 G Ex de IIB T6 Gb	
	7.6m, 2.5mm2	ATEX 240V		
EFI150xx	25', 14AWG	ATEX 100/130V	II 2 G Ex de IIB T6 Gb	
	7.6m, 2.5mm2	ATEX 240V		

UB20xx

Compact and lightweight while delivering the highest CFM available in its class. Ultra-quiet operation at 74dB. The power cable is 25' (7.6 m) long for extended reach. Integrated duct adapters can easily connect to the anti-static duct. Optional anti-static Quick-Couple™ Canister stores and protects the conductive duct from rips and tears, which is integrated into the UB20xx blower for fast and convenient set-up.

EFI75xx

Supplies fresh air and exhaust hazardous/explosive gases safely with optional duct adapters, which can be easily connected to the anti-static duct.

EFI50xx/ EFI120xx/ EFI150xx

The largest hazardous location blowers for the highest volume of air movement. Use the EFI50xx (0.5 Hp) when you need high volume, low velocity, somewhat gentler flow; or the EFI150xx (1.5 Hp) model for higher velocities, increased volumes and reduced purge or cooling times. 16" (40 cm) integrated duct adapters. Stackable in storage or during operation.

SPECIFICATIONS

Models	Order	Free Air	Air Through 15' (4.6m) Duct w/ one 90° turn	Air Through 15' (4.6m) Duct w/ two 90° turns	Air Through 25' (7.6m) Duct w/ one 90° turn	Air Through 25' (7.6m) Duct w/ two 90° turns	Motor	Power	Amps (Start/Run)	Weight	Dimensions (h/w/d)
UB20xx	EF7002	980 cfm 1666 m³/hr	789 cfm 1341 m³/hr	666 cfm 1132 m³/hr	722 cfm 1227 m³/hr	614 cfm 1044 m³/hr	0.33 Hp 0.25 kW	115V, 1Φ, 50/60Hz	7A/ 2.3A	27 lbs 12 kg	14/14/15.5 in 35/35/39 cm
	EF8002	819 cfm 1392 m³/hr	659 cfm 1120 m³/hr	558 cfm 948 m³/hr	603 cfm 1025 m³/hr	510 cfm 867 m³/hr		230V, 1Φ, 50/60Hz	3A/ 1.2A		
EFI75xx	EB7201XX	2500 cfm 4250 m³/hr	1664 cfm 2829 m³/hr	1529 cfm 2599 m³/hr			0.75 Hp 0.56 kW	115V, 1Φ, 50/60Hz	37A/ 8.8A	44 lbs 20 kg	16/15/16 in 41/38/41 cm
	EB7201XX-230							230V, 1Φ, 50/60Hz	27A/ .4A		
EFI50xx	EA8000XX	3200 cfm 5440 m³/hr	1935 cfm 3289 m³/hr				0.5 Hp 0.37 kW	115V, 1Φ, 60Hz	25A/ 6A	49 lbs 22 kg	19/18/16 in 48/46/41 cm
	EA8000XX-230							230V, 1Φ, 50Hz	13A/ 3A		
EFI120xx	EA8120XX-110	3750 cfm 6375 m³/hr	2700 cfm 4590 m³/hr				1.2 Hp 0.9 kW	110V, 1Φ, 50Hz	54A/ 10A	55 lbs 25 kg	19/18/16 in 48/46/41 cm
	EA8120XX							240V, 1Φ, 50Hz	27A/ 5A		
EFI150xx	EG8200XX	4459 cfm 7580 m³/hr	3179 cfm 5404 m³/hr				1.5 Hp 1.1 kW	115V, 1Φ, 60Hz	80A/ 15A	61 lbs 28 kg	19/18/16 in 48/46/41 cm
	EG8200XX-230							230V, 1Φ, 50Hz	40A/ 8A		

=PLEASE REFER TO 2019 HAZLOC CATALOG FOR ORDERING INFORMATION ABOUT THESE PRODUCTS



DUCT ADAPTER/
REDUCER 12"-8"



ANTI-STATIC DUCT WITH
STORAGE BAG



ATEX
EXTENSION CORD

BLOWERS/EXHAUSTERS

EFi50/EFi120/EFi150

The largest portable ducted blowers for the highest volume air movement. Use the EFi50 (0.5 Hp) when you need a high volume, low velocity, somewhat gentler flow; or the EFi150 (1.5 Hp) model for higher velocities, increased volumes and reduced purge or cooling times. Durable EFi series fans have high strength, glass reinforced ABS housing, and stackable in storage or during operation.



EFi50/EFi120/EFi150
16"/40 cm

SPECIFICATIONS

Models	Order	Free Air	Air Through 15' (4.6m) Duct w/ no turns	Air Through 15' (4.6m) Duct w/ one 90° turn	Motor	Power	Amps (Start/Run)	Weight	Dimensions (h/w/d)
EFi50	EA8000	3200 cfm 5440 m³/hr	-	1935 cfm 3289 m³/hr	0.5 Hp 0.37 kW	115V, 1Φ, 60Hz	25A/ 6A	46 lbs 21 kg	19/18/16 in 48/46/41 cm
	EA8000-230					230V, 1Φ, 50Hz	13A/ 3A		
EFi120	EA8120	3750 cfm 6375 m³/hr	-	2700 cfm 4590 m³/hr	1.2 Hp 0.9 kW	230V, 1Φ, 50Hz	27A/ 5A	53 lbs 24 kg	19/18/16 in 48/46/41 cm
EFi150	EG8200	4459 cfm 7580 m³/hr	-	3179 cfm 5404 m³/hr	1.5 Hp 1.1 kW	115V, 1Φ, 60Hz	80A/ 15A	55 lbs 25 kg	19/18/16 in 48/46/41 cm
	EG8200-230					230V, 1Φ, 50Hz	40A/ 8A		
	EG8200-CE								

Models	Cable Lengths	Plug Types	Motor Part #	Certifications
EFi50	115V/230V: 15'/4.6m, 4.6m, 2.5mm²	(115V) 15A NEMA 5-15P, (230V) Twistlock L6-20P	EM-F.5-60C	CE
EFi120	(230V): 10'/3m, 16AWG/1.5mm²	16A Schuko	EM-F.5-60C	
EFi150	(115V/230V): 15'/4.6m, 14AWG/2.5mm² (230VCE) 4.6m, 2.5mm², (230V) 4.6m	(115V) 15A NEMA 5-15P, Twistlock L5-30P, (230VCE) 16A Schuko HEAVY DUTY, (230V) Twistlock L6-20P	-	

ACCESSORIES AVAILABLE FOR ADDITIONAL ACCESSORY INFORMATION SEE PAGES 28-31



STANDARD DUCT WITH STORAGE BAG



LAYFLAT DUCT



DISPOSABLE DUCT

SMOKE EJECTORS

BLOWERS/EXHAUSTERS



The 16"/40 cm blower/exhausters are the largest portable ducted blowers for high volume air movement. Use the ½ Hp model when you need a high volume, low velocity, somewhat gentler flow; or the 1½ Hp model for higher velocities, increased volumes and reduced purge or cooling times.

DUCT

STANDARD DUCT

Collapsible reinforced, conductive duct is flame retardant. Each duct comes with its own bag.



DUCT

GREAT FLEXIBLTY



ECKO Flex™ ducting allows great flexibility with several diameters and lengths to allow you to safely ventilate virtually any application. With new and improved construction, our unique anti-static ducting is available on short lead times with many items held in stock. Flexible ducting is vitally important in improving safety and working conditions. It can be used to bring fresh air into an area, extract contaminated air, and be used to direct heated air where it is needed. Using ducting gives you greater flexibility. Carefully selected materials, robust design, and rigorous testing will bring you a ducting system second to none. Constructed from an anti-static reinforced polymer material with an integrated steel helix wire, it has been vigorously tested by an independent laboratory where it passed both the anti-static and flammability tests.

ACCESSORIES AVAILABLE FOR ADDITIONAL ACCESSORY INFORMATION SEE PAGES 28-31

8"/20CM | 12"/30CM | 16"/40CM STANDARD DUCT

Order#	DUCT DIAMETER
FDT-21624046BR	8"/20 cm diameter duct, 15'/4.6 m with storage bag
FDT-30534005BB	12"/30 cm diameter duct, 16'/5 m with storage bag
FDT-1615BR	16"/40 cm diameter duct, 15'/4 m with storage bag
FDT-21624076BR	8"/20 cm diameter duct, 25'/7.6 m with storage bag
FDT-30534010BB	12"/30 cm diameter duct, 32'/10 m with storage bag
FDT-1625CBR	16"/40 cm diameter duct, 25'/7.6 m with storage bag



PART NUMBER MODELS/ ACCESSORIES

ANNEX

A quick reference for fan and accessory part numbers or order numbers with descriptions.

PART NUMBERS MODEL | ACCESSORIES

ELECTRIC-STANDARD-AC

8"/20CM ELECTRIC BLOWERS - AC

MODEL	PART #	DESCRIPTION
STANDARD AC		
UB20	ED7002	8" 1/3HP Blower-Exhauster - 115V/240v 50/60 Hz Ships as 115V
UB20	ED7015	8" 1/3HP Blower-Exhauster - 115V Incl. Quick-Couple Canister w/15ft duct
UB20	ED7025	8" 1/3HP Blower-Exhauster - 115V Incl. Quick-Couple Canister w/25ft duct
UB20	ED8002	20cm .25HP Blower-Exhauster - 110/240v 50/60 Stocked as 240v
UB20	ED8015	20cm .25HP Blower-Exhauster - 240v Incl. Quick-Couple Canister w/4.6m duct
UB20	ED8025	20cm .25HP Blower-Exhauster - 240v Incl. Quick-Couple Canister w/7.6m duct

STANDARD AC KITS

UB20	ED7015-MED	UB20 Manhole Entry System - 115V powered blower
System includes: (or may be individually ordered)		
1 ea	ED7002	8" 1/3HP Blower-Exhauster - 115V/240v 50/60 Hz Ships as 115V
1 ea	ED7004CL/DS	Quick-Couple Long Canister, 2 pcs (8") duct - (5ft and 15ft) and duct coupler
1 ea	MED5100	M-E-D, Manhole Entry Device, Includes: MED Vent, Elbow, Mount (No Blower)
UB20	ED8015-MED	UB20 Manhole Entry System - 240v powered blower
System includes: (or may be individually ordered)		
1 ea	ED7004CL/DS	Quick-Couple Long Canister, 2 pcs (8") duct - (5ft and 15ft) and duct coupler
1 ea	ED8002	20cm .25HP Blower-Exhauster - 110/240v 50/60 Stocked as 240v
1 ea	MED5100	M-E-D, Manhole Entry Device, Includes: MED Vent, Elbow, Mount (No Blower)

ELECTRIC-STANDARD-DC

8" ELECTRIC BLOWERS - DC

STANDARD DC		
UB20-12V	ED9002	8" 1/3HP Blower-Exhauster - Battery Clips (ED-SMHBC15) - 12VDC
UB20-12V	ED9015	8" 1/3HP Blower-Exhauster - Battery Clips - 12VDC Incl. Quick-Couple Canister w/15ft duct
UB20-12V	ED9025	1/3HP Blower-Exhauster -Battery Clips - 12VDC Incl. Quick-Couple Canister w/25ft duct

STANDARD DC KITS

UB20-12V	ED9015-MED	UB20 Manhole Entry System - 12VDC powered blower
System includes: (or may be individually ordered)		
1 ea	ED7004CL/DS	Quick-Couple Long Canister, 2 pcs (8") duct - (5ft and 15ft) and duct coupler
1 ea	ED9002	8" 1/3HP Blower-Exhauster - Battery Clips (ED-SMHBC15) - 12VDC
1 ea	MED5100	M-E-D, Manhole Entry Device, Includes: MED Vent, Elbow, Mount (No Blower)

BATTERY PACK SYSTEM

UB20-12V	ED9002-BAT	Battery Pack System - 12VDC battery powered blower, battery pack/charger
System includes: (or may be individually ordered)		
1 ea	BPV-12	12V Hi/Lo Battery Pack for use with UB20-12V
1 ea	ED9002	8" 1/3HP Blower-Exhauster - Battery Clips (ED-SMHBC15) - 12VDC
UB20-12V	ED9015-BAT	UB20 Battery Pack System - 12VDC battery powered blower, 15ft duct, battery pack/charger
System includes: (or may be individually ordered)		
1 ea	BPV-12	12V Hi/Lo Battery Pack for use with UB20-12V
1 ea	ED9015	BPV-1212V Hi/Lo Battery Pack for use with UB20-12V
UB20-12V	ED9025-BAT	Battery Pack System - 12VDC battery powered blower, 25ft duct, battery pack/charger
System includes: (or may be individually ordered)		
1 ea	BPV-12	12V Hi/Lo Battery Pack for use with UB20-12V
1 ea	ED9025	8" 1/3HP Blower-Exhauster -Battery Clips - 12VDC Incl. Quick-Couple Canister w/25ft duct

12" & 16" ELECTRIC BLOWERS

TEAO MOTORS - SINGLE PHASE

MODEL	PART #	DESCRIPTION
EF1120	EA8120	40cm 1.2HP Blower - 240v - 16A Schuko plug, 40cm Adapters included
EF1150	EG8200	16" 1.5HP High Capacity Blower - 115/240v Wired 115V - 16" Adapters included , L5-30P plug
EF1150	EG8200-230	16" 1.5HP High Capacity Blower - 115/240v Wired 240v - 16" Adapters included, L6-20P plug
EF150	EA8000	16" 1/2HP Blower - Select 115/240v-Wired 115V - 16" Adapters included, Plug 5-15P
UB30	EJ4002	12" 5/8HP Blower-Exhauster - 115/240v 50/60HZ Ships 115V with 5-15P
UB30	EJ8002	30cm 5/8HP Blower-Exhauster -110/240V 50/60HZ-Ships 240V SCHUKO

DUCTING W/STORAGE BAG

HEATING SYSTEMS		
ELECTRIC BLOWER-PROPANE HEATER - SEE ACCESSORIES		
UB20	ED7125-HT	UB20 In-Line Heater System For Tent/Shelter Heating system includes: (or may be individually ordered)
1 ea	ED7002	8" 1/3HP Blower-Exhauster - 115V/240v 50/60 Hz Ships as 115V
1 ea	FDT-21624046BR	8" ECKO-flex Reinforced duct, 15ft, w/storage bag
1 ea	HA01	55,000 BTU Propane Heater - w/Thermostat - w/Regulator Pt# HA01REG
UB20	HA01-100HT	UB20 In-Line Heater System - Confined Space Heating - 15 ft canister
System includes: (or may be individually ordered)		
1 ea	ED7015	8" 1/3HP Blower-Exhauster - 115V Incl. Quick-Couple Canister w/15ft duct
1 ea	HA01	55,000 BTU Propane Heater - w/Thermostat - w/Regulator Pt# HA01REG
UB20	HA01-125HT	UB20 In-Line Heater System - Confined Space Heating - 25 ft canister
system includes: (or may be individually ordered)		
1 ea	ED7025	8" 1/3HP Blower-Exhauster - 115V Incl. Quick-Couple Canister w/25ft duct
1 ea	HA01	55,000 BTU Propane Heater - w/Thermostat - w/Regulator Pt# HA01REG
HEATER ONLY		
UB20	HA01	55,000 BTU Propane Heater - w/Thermostat - w/Regulator Pt# HA01REG
STANDARD DUCT		
MODEL	PART#	DESCRIPTION
Duct	FDT-1615BR	16" Reinforced duct, 15ft, w/storage bag
Duct	FDT-1625BR	16" Reinforced duct, 25ft, w/storage bag
Duct	FDT-21624046BR	8" ECKO-flex Reinforced duct, 15ft, w/storage bag
Duct	FDT-21624076BR	8" ECKO-flex Reinforced duct, 25ft, w/storage bag
Duct	FDT-30534005BB	12" ECKO-flex Reinforced duct, 5m, w/storage bag
Duct	FDT-30534010BB	12" ECKO-flex Reinforced duct, 10m, w/storage bag
DISPOSABLE DUCT		
Duct	FDT-12DISP	Disposable Layflat polyethylene duct (4mil).....PRICE/100 FEET
Duct	FDT-16DISP	Disposable Layflat polyethylene duct (4mil).....PRICE/100 FEET
LAYFLAT DUCT		
Duct	FDT-1625SME	16" Unreinforced Layflat duct, 25ft
Duct	FDT-L4X10SME	16" 90° Unreinforced duct, 4ft x 10ft

Accessories

DUCTED BLOWER ACCESSORIES		
MODEL	PART#	DESCRIPTION
Accessory	BG12	12" Duct Carrying Bag -(FDT-1225CBB, FDT-30534010BB ONLY)
Accessory	BG16	16" Duct Carrying Bag
Accessory	BG8	8" Duct Carrying Bag
Accessory	DC12	12" Duct Coupler Stainless HD
Accessory	DC16	16" Duct Coupler Stainless HD
Accessory	DC8	8" Duct Coupler Stainless HD
Accessory	EA7116	16" ABS Duct Adapter for "Box Fans" INLET/EXHAUST except for EX-rated
Accessory	EA7117	16" ABS Duct Adapter for "Box Fans" EX-rated exhaust fans only
Accessory	EA9145	16" Box Fan Tilt Bracket - Fits all 16" EFC/EFI blowers
Accessory	EC0301	8" Duct Adapter/Reducer for the 12" (Efi & Afi & UB30) Series
ELECTRIC PLUGS		
Accessory	EZ-5-15P	115V Plug - NEMA 5-15P (15 amp)

Accessory	EZ-L5-15P	115V Plug - NEMA L5-15P (15 amp Twist-Lok)
Accessory	EZ-L5-20P	115V Plug - NEMA L5-20P (20 amp Twist-Lok)
Accessory	EZ-L5-30P	115V Plug - NEMA L5-30P (30 amp Twist-Lok)
Accessory	EZ-L6-20P	240v Plug - NEMA L6-20P (20 amp Twist-Lok)
Accessory	EZ-L6-30P	240v Plug - NEMA L6-30P (30 amp Twist-Lok)
Accessory	EZ-UGP15231	15A 125V Killark UGP-15231 Plug- Hazardous Location - Use with UB20xx
HEATER ACCESSORY		
Accessory	HA01T1	Heater Thermostat control with 25 ft of cable, Included with HA01
Accessory	HAT25EXT	Heater Thermostat Extension 25ft. Works with HA01T1
M-E-D SYSTEM AND ACCESSORIES		
Accessory	MED189	M-E-D, Manhole Entry Device, MED Vent
Accessory	MED5100	M-E-D, Manhole Entry Device, Includes: MED Vent, Elbow, Mount (No Blower)
Accessory	MED90	M-E-D, Manhole Entry Device, 90° Elbow Connector
Accessory	MEDUM	M-E-D, Manhole Entry Device, Universal Mount
PPV - ACCESSORIES		
Accessory	BG16LFA	16"/40cm Multi-Purpose Accessory Pack
System includes: (or may be individually ordered)		
1 ea	BG16LF	Storage bag for Layflat Duct, 90 deg duct and Mist-16 Kit
1 ea	ED-MIST16	16" Cooling Collar for RAMFAN 16" Blowers (May require duct adapter-CALL)
1 ea	FDT-1625SME	16" Unreinforced Layflat duct, 25ft
1 ea	FDT-L4X10SME	16" 90° Unreinforced duct, 4ft x 10ft
MODEL	PART #	DESCRIPTION
UB20		
Accessory	BPV-12	12V Hi/Lo Battery Pack for use with UB20-12V
Accessory	ED0304	Inlet duct adapter for UB20
Accessory	ED7004CL	Quick-Couple Canister w/25ft of 8" reinforced duct for UB20
Accessory	ED7004CL/DS	Quick-Couple Long Canister, 2 pcs (8") duct - (5ft and 15ft) and duct coupler
Accessory	ED7004CS	Quick-Couple Canister w/15ft of 8" reinforced duct for UB20
Accessory	ED7300	UB20 High Pressure Turbo-Coupler
Accessory	ED-SMH5	Cord Connector- Battery Pack to DC Blower (5ft cable & SMH plugs)
Accessory	ED-SMHBC15	Battery Pack (ED-BP612) plug to Battery Clip Adapter
Accessory	HA01REG Propane	Regulator and 12ft. Hose Assy (use with HA01)

Notes:

- (1) Units are built with EN60309.1 plugs, unless noted. The US/Canadian market lacks a standardized plug configuration for "EX-PROOF" use. Please request plug options at time of order.
- (2) Specify thread: 1.5" NST, NPSH, BSP or special
- (3) Smoke Ejectors supplied without Duct Adapters Terms



There is a lot riding on the smooth functioning of your equipment - your own safety and the welfare of others. That is why Euramco Safety provides fast and comprehensive service as a standard operational procedure.

All products offered by Euramco Group are designed and manufactured with care. If you are unfamiliar with a product, you and your team should learn how to use it properly before putting it into operation. Our experts offer special training sessions for all devices.

You should study the user manual in-depth prior to start-up. If in doubt, please contact your specialized dealer. Firefighting and rescue equipment is placed under great strain in actual practice. Carry-out maintenance on a regular basis to ensure that it always functions smoothly.

MADE IN THE USA

Please contact your specialized dealer or one of our partners if a device is malfunctioning. They will provide a speedy repair service.

STARTUP

Please read the instruction manual carefully before start-up. You should familiarize yourself, and your team of the users, with your product in detail before using it for the first time. We will provide certifications of compliance and other certificates on request.

All goods sold by Euramco Group are manufactured in accordance with ISO 9001.

MAINTENANCE & REPAIRS

Please refer to the operating manual for information on the maintenance of your products sold by Euramco Safety. Should you have any questions, please contact your specialized dealer.

Please contact our sales staff if a product requires servicing or repair. We will accept products in need of servicing, discuss the quickest and most affordable solution with you, prepare cost estimates, carry-out the work, and answer any questions you may have. Please send us return shipments with the Euramco Return Material Authorization Form.

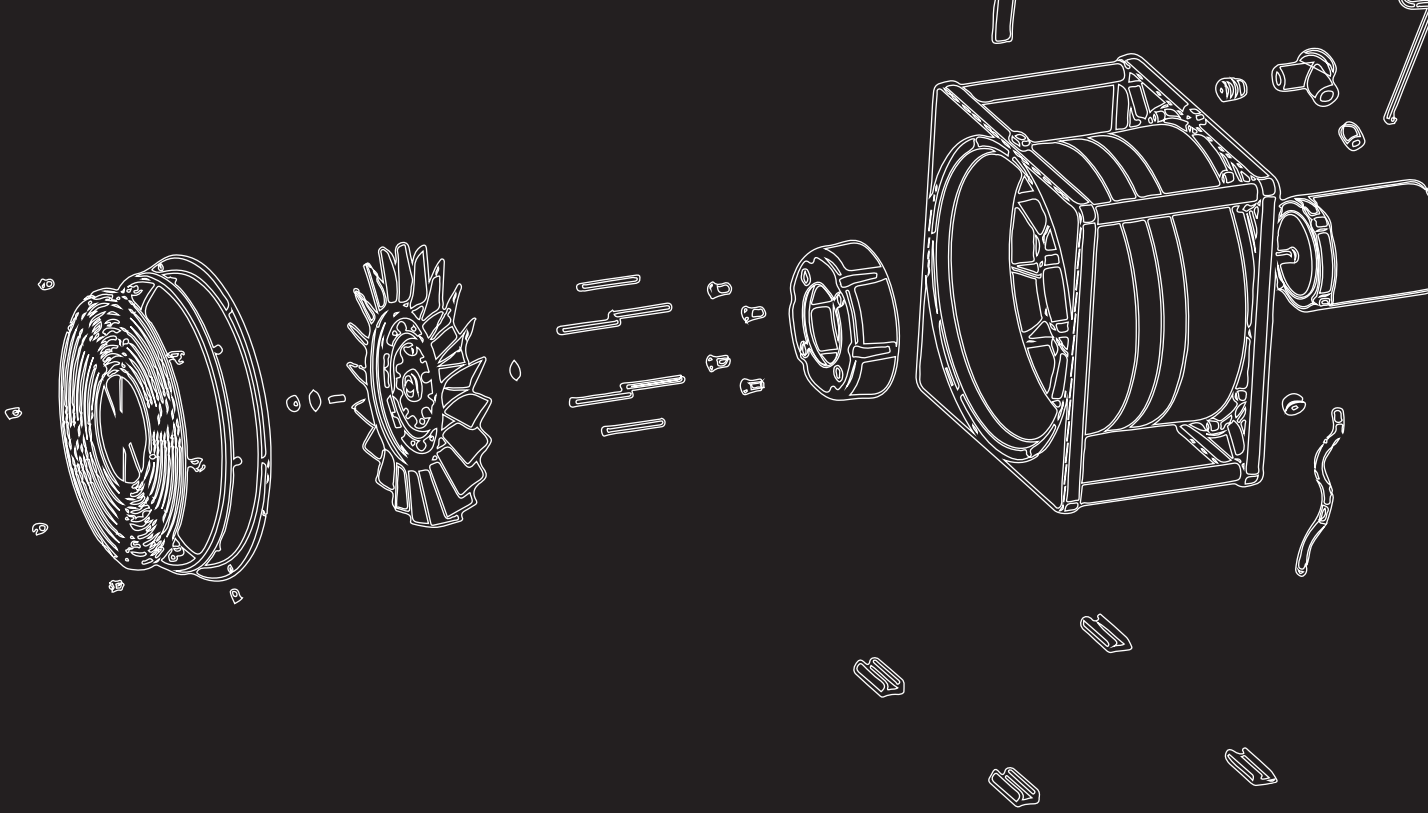
If necessary, we will send you a specialist to carry-out repairs on-site. The service technician will bring spare parts and other materials with him—you don't have to worry about a thing!

Some larger items will require special service considerations. Please contact the repair and service center for repair and maintenance work. Our team will determine whether the work needs to be done on-site, or in our service center and will be happy to answer any further questions you may have.

TRAINING & PRESENTATIONS

You should be able to use and operate your equipment with ease. That is why we make sure that our products are top-notch before you purchase them. Qualified experts will consult with you on-site in regards to your requirements and specifications. They will demonstrate how the appliance works and what it can accomplish. Only then will you be able to make an informed decision.

Special training programs give you and your team an opportunity to familiarize in detail with your new equipment. Our trainers will explain the correct handling and carry-out practical exercises.



Go to www.ramfan.com to find everything you need:

- Product Information
- Online Catalog
- Latest Industry News
- Certifications
- FAQ
- Warranty Information
- Technical Bulletin
- Manuals

Distributed by:



USA
2746 Via Orange Way
Spring Valley, CA 91978 USA
Toll Free: (800) 472-6326
Phone: +1 (619) 670-9590
Fax: +1 (619) 670-7345
theteam@euramco.com

LUXEMBOURG
1 Rue Edmond Reuter,
5326 Contern, Luxembourg
Phone: +352-621377200
Fax: +352-26008056
theteam@euramco.com

MIDDLE EAST – UAE
Jebel Ali FTZ, Dubai
Phone: +1 (619) 670-9590 x114
Fax: +1 (619) 670-7345
theteam@euramco.com

CHINA
No. 128, HeZhou Road, JiaoChuan Street,
ZhenHai District, Ningbo, China 315207
Phone: +86-574-87979390
Fax: +86-574-87979391
saleschina@euramco.com