



SCAN ME



TECHNICAL SPECIFICATIONS

EX50Li-18V (18V_{DC}) 18" / 46 cm

ORDER

EL5518D
(DeWalt Compatible)

EL5518M
(Milwaukee Compatible)

MOTOR

1 hp BrushlessPPV™

RUNTIME @ MAX. SPEED

DC: 40 minutes - 12 Ah batteries
50 minutes - 15 Ah batteries
AC: Unlimited

INPUT VOLTAGE RANGE

Universal Input: 85 - 264 V_{AC}, 1Φ, 50/60 Hz

BATTERY SYSTEM

18V, 216/12Ah Milwaukee
20V, 270/15Ah DeWalt

DIMENSIONS

22 x 21 x 16 in / 56 x 53 x 41 cm
22 x 21 x 12 in / 56 x 53 x 30 cm
(wheel kit removed)

WEIGHT

without batteries: 54 lbs / 24 kg

NOISE

< 90 dB

OPERATING TEMP RANGE

-4°F to 105°F / -20°C to 40°C

TILT

-6° to +34°

APPROVALS

CE AMCA

AMCA VERIFIED AIRFLOW

DC POWER SUPPLY

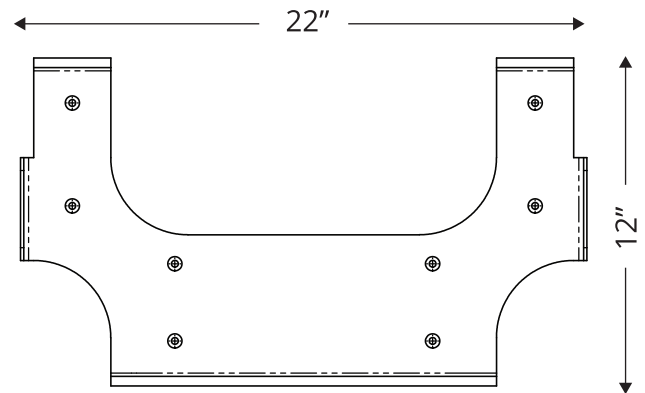
10,352 cfm (17,585 m³/hr)

032924

TRUCKFIT



FAN	SIZE		DIMENSIONS (HxWxD)	
	in	cm	in	cm
18V	18	46	22 x 21 x 16	56 x 53 x 41



Vehicle Mount

