



SCAN ME

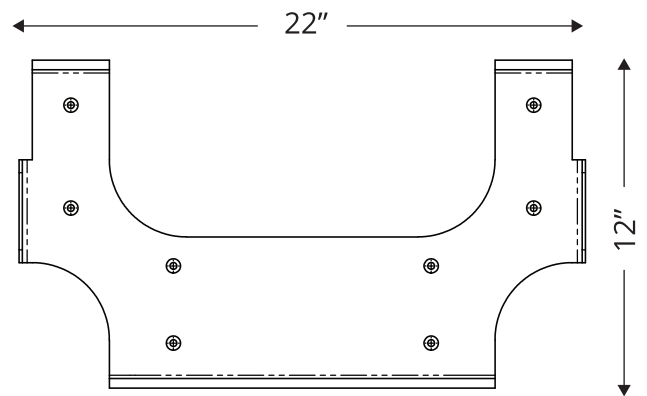
EX50Li (40V_{DC}) 18" / 46 cm

TECHNICAL SPECIFICATIONS		PRO//connect	Makita
ORDER #	115V _{AC} 230V _{AC}	EL5500-2PK EL55230-2PK	EL5540MK EL5540MKCE
MOTOR		1 hp BrushlessPPV™	
RUNTIME @ MAX SPEED		DC: 45 minutes (two battery packs) AC: Unlimited	
INPUT VOLTAGE RANGE		Universal Input: 85 - 264 V _{AC} , 1Φ, 50/60 Hz	
CONSUMPTION (running @ 100%, AC)		748 W	
CONSUMPTION (CHARGING)		81 W	On-tool charging not supported
CHARGER OUTPUT		1.5 A per battery (simultaneous)	On-tool charging not supported
BATTERY SYSTEM		40V Lithium-ion	Makita XGT 40V max 8.0 Ah Li-ion
BATTERY SYSTEM PERFORMANCE			
NOMINAL ENERGY		504 Wh	
MAXIMUM DISCHARGE CURRENT		48A	
BALANCING		Adaptive Passive Method	See
CYCLE LIFE DoD 80%		>500 cycles	Makita
IP RATING		IP66	specification
COMMUNICATION		Wireless NFC/BLE	
RECYCLING MODE		Residual drain	
MAINTENANCE MODE		Initiate cell balancing	
DIMENSION		22 x 21 x 16 in / 56 x 53 x 41 cm 22 x 21 x 12 in / 56 x 53 x 30 cm (wheel kit removed)	
WEIGHT		54 lbs / 25 kg	
NOISE		< 87 dB	
OPERATING TEMP RANGE		-4°F to 105°F / -20°C to 40°C	
CHARGE TEMP RANGE		-32°F to 105°F / -0°C to 40°C	On-tool charging not supported
TILT		-6° to +34°	
CONFORMS TO:		CE	AMCA
AMCA 240-15 AIRFLOW *Independent Verification			
BATTERY POWER		10,120 cfm (17,194 m ³ / hr)	

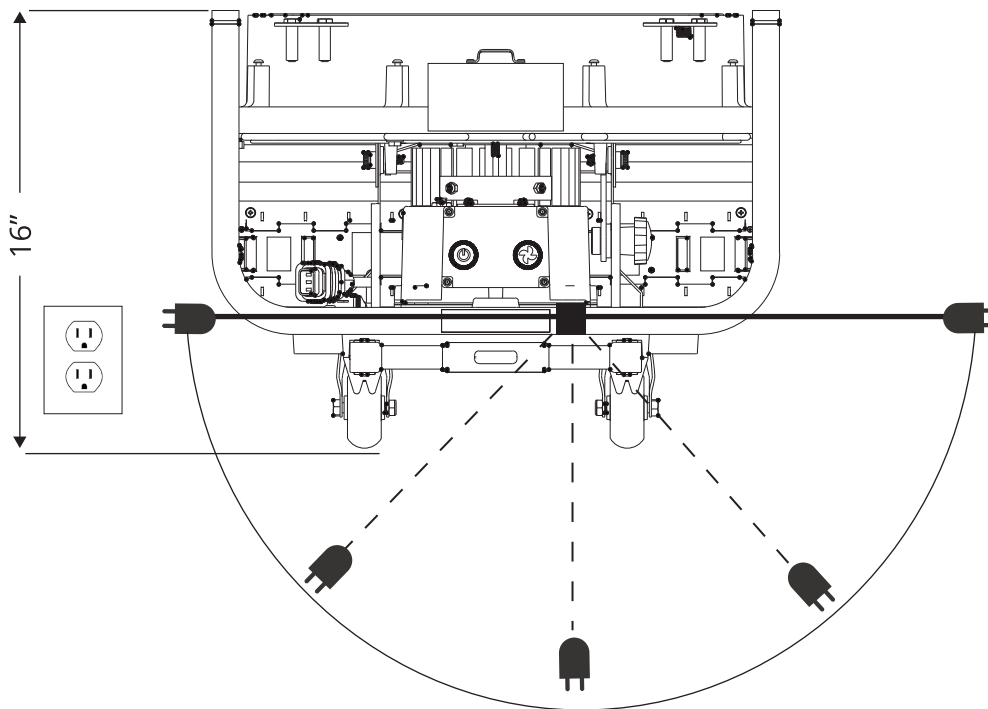
040924

TRUCKFIT

FAN	SIZE		DIMENSIONS (HxWxD)	
	in	cm	in	cm
40V	18	46	22 x 21 x 16	56 x 53 x 41



Vehicle Mount



10"
AC outlet placement
for ontool charging

**Custom cord lengths available upon request*