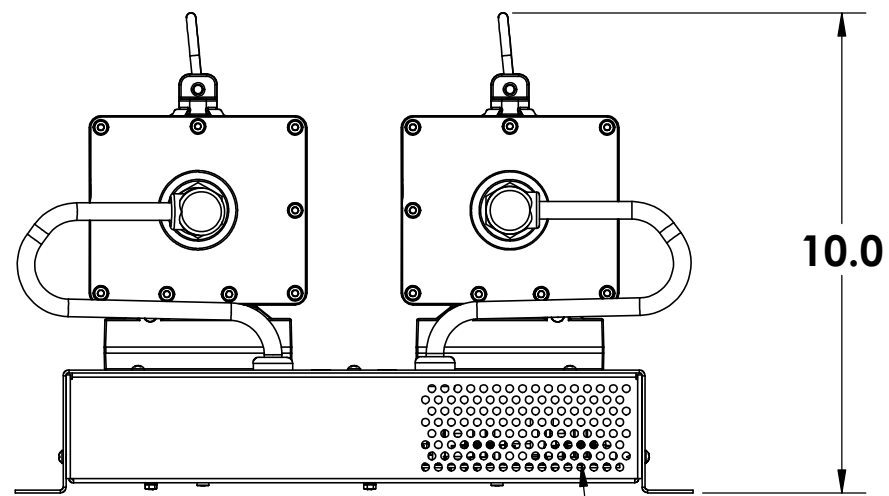


THE INFORMATION CONTAINED IN THIS DRAWING IS THE SOLE PROPERTY OF Euramco Safety Inc. ANY REPRODUCTION IN PART OR WHOLE WITHOUT THE WRITTEN PERMISSION OF Euramco Safety Inc. IS PROHIBITED.

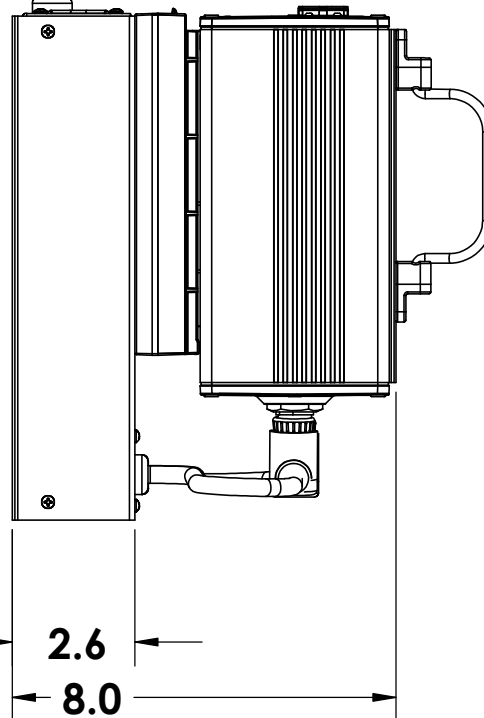
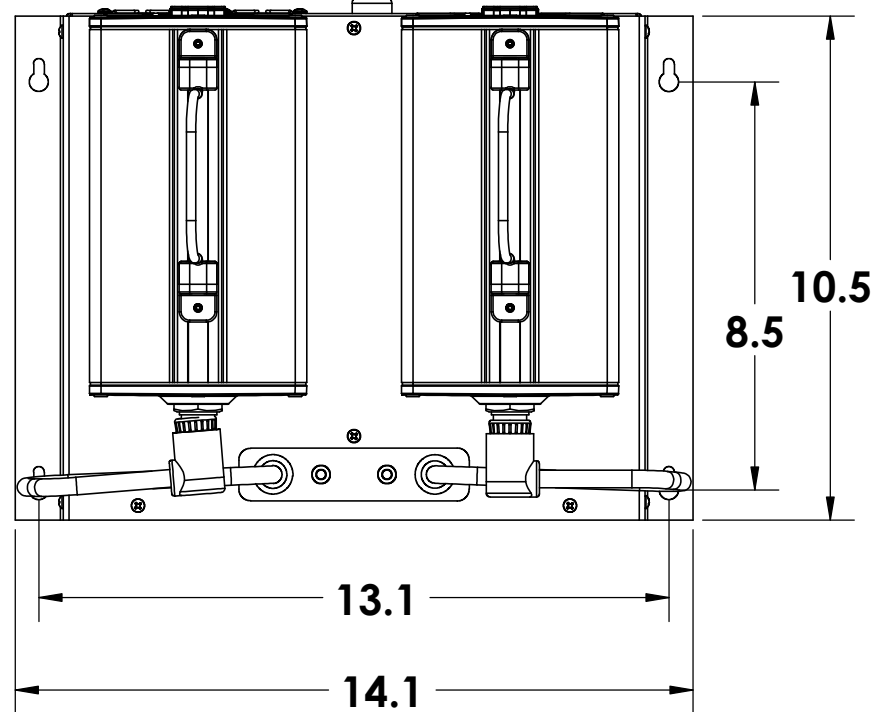
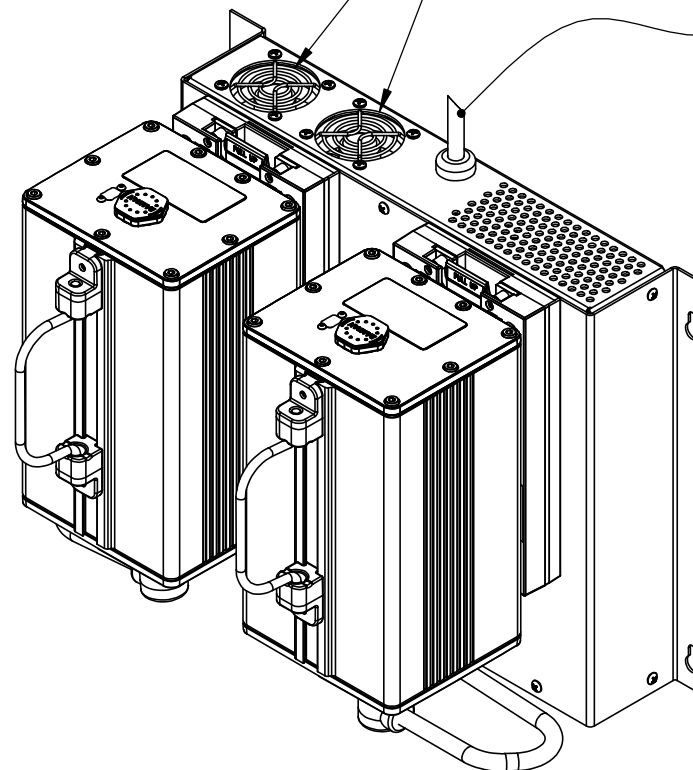


CHARGER POWER INPUT

COOLING AIR INLET

CHARGER POWER INPUT

COOLING AIR OUTLET



UNLESS OTHERWISE SPECIFIED DIMENSIONS ARE: INCHES [MM]
 TOLERANCES APPLY TO PRIMARY INCH DIMENSION AND ARE AS INDICATED:
 FRACTIONS DECIMALS ANGLES
 ±1/64 .XX ±.02 ±30'
 .XXX ±.005
 RADII: .015 MAX UNLESS SPECIFIED ON DRAWING

CAD GENERATED DRAWING. DO NOT MANUALLY UPDATE DRAWING INTERPRETATION PER ASME Y14.5-2009

ALL DIMENSIONS ARE IN INCHES UNLESS OTHERWISE SPECIFIED
 DO NOT SCALE DRAWING

Euramco Safety Inc.

Description **M1 CHARGER FOOT PRINT**

DWG. NO. PART NO.

<p>FIRST ANGLE PROJECTION</p>	APPROVALS	DATE	Configuration	AC BOM DWG	REV
	DRAWN		Material:	NOTED	Finish: NA
	APPROVED		DRAWING FILE NAME:	M1C-FOOTPRINT	MODEL FILE NAME:
					SHEET 1 OF 1

\\sbs\Data_X\Wrkfiles\SolidWorks\EX150Li\CHARGER\