

WF20

8"/20 cm

Safest & Most Powerful Portable Ventilator in the World

No portable blower in the world compares with the smoke removal rates of the WF20 connected to ducting from 10" to 12". Warships at general quarters require powerful suction to remove smoke from interior spaces. The WF20 suctions the smoke from the affected areas through long lengths of ducting to the outside air.

The WF20 blower uses the water pressure energy of a fire hose and a patented turbine, coupled to a high-efficiency fan blade, to generate high-velocity, high-pressure airflow. The modular construction, choice of corrosion-resistant materials and simplicity assures infrequent and simple maintenance.

Specifications

| MODEL | WF20 |
|-------------------------------|--|
| Part # | WA5001BSP / WA5001NH / WA5001N |
| Ducted Airflow | 1,835 cfm @ 150 psi 3,120 m ³ /hr @ 1.0 MPa |
| PPV Airflow (with Multiplier) | 13,125 cfm @ 150 psi (22,313 m ³ /hr @ 1.0 MPa) 16,511 cfm @ 250 psi (28,069 m ³ /hr @ 1.7 MPa) |
| Weight | 35 lbs / 15.9 kg |
| Dimensions (h/w/d) | 16 x 12 x 12 in / 40 x 31 x 31 cm |
| Pressure/Flow | Nominal: 40 psi/29 gpm (0.3 MPa/109 lpm) Max: 250 psi/94 gpm (1.75 MPa/355 lpm) |
| Power | 4.6Hp @ 150 psi (3.4 kW @ 1.0 MPa) 8Hp @ 250 psi (6kw @ 1.7 MPa) |
| Connections | 1.5" (3.8 cm) NST (NH), NPSH, or BSP male connections |
| Certifications | AMCA |

Note: Output changes as setback from the opening changes. Single door airflow is per AMCA 240-15 testing. This data derives from 0" static pressure. Real world results will be substantially reduced by structure backpressure. The WF20 tested at 15 ft (4.6 m) setback at 12° tilt and 150psi.

AMCA 240, as defined and tested by the third-party Air Movement and Control Association (AMCA), is tested through a standard area opening which represents a single-door structure opening most often used in fire fighting PPV operations. This test procedure is published and is the most accurate method for PPV airflow testing that currently exists. AMCA's testing center is available to all manufacturers of ventilators for performance verification to this standard. Due to its standardized, published testing procedure and third-party status, this is known internationally as the best testing method for comparing PPV fans. Verify performance data online at AMCA.org.

Patent turbine design operated with 40 psig to 250 psig inlet water pressure to produce 2,900 cfm (5,000 m³/hr) airflow



The Undisputed Leader

Exhaustive testing during the U.S. Navy evaluations left the WF20 as the uncontested champion of shipboard de-smoking.

Design and Performance

- Standard of the U.S. Navy, Royal Navy, French, ANZAC and others
- Water powered, intrinsically safe
- Operates from the fire mains and overboard drainage
- 4.6 Hp@150psi (3.4 kW@1.0 MPa)
- Dual Purpose: Ducted and Positive Pressure Ventilation
- Water/air couplings to customer specifications

Options

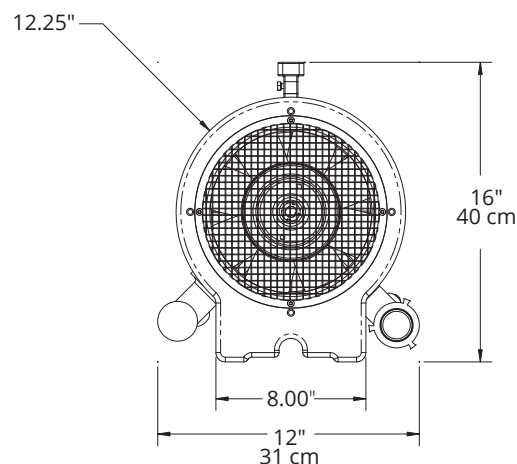
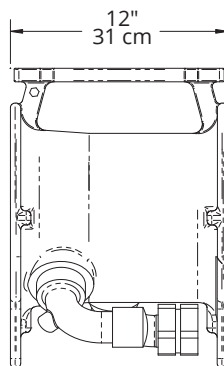
Optional adapter can be fitted with ZAG Ø 300mm connectors for fast hook up and deployment (included in WA5001GL)

Static Cord Clip



Strainer adapter goes from 2.5" BSP to 1.5" BSP included in WA5001BSP & WA5001GL

Dimensions



ORDER NUMBERS:

| Order # | Description |
|------------------|---|
| WA5001BSP | WF20 Blower with 1.5" (3.8 cm) BSP Male Connections |
| WA5001GL | WF20 Blower with 1.5" (3.8 cm) BSP (water)/AFNOR DN 300 Type M duct couplers NATO 4140-99-0 |
| WA5001N | WF20 Blower with 1.5" (3.8 cm) NPSH Male Connections |
| WA5001NH | WF20 Blower with 1.5" (3.8 cm) NST (NH) Male Connections |
| 4140-01-333-2224 | WF20 Kit - U.S. Navy version Blower with 4 x Duct (DT-1015DVI-3) and 2 x Adapters (WA0411) |

ACCESSORIES:

Multiplier/Mister

NSN:4140-01-414-0670
Order# WA0802

Multiplier/Mister with ZAG Adapter

NATO: 4140-01-600-6117
Order# WA0802-AFNOR

Strainer Adapter

For use with BIC, Guillemin and storz couplings
Order# WA2810

Blower ZAG adapter

Order# ZAGAY

Multiplier/Mister

ZAG Adapter
Order# ZAGAY-2

Duct

Neoprene Coated
US Navy Standard (10"x15') (25 cm x 4.6 m)
US NSN: 4720-01-378-6044
US NSN: 4140-01-457-9527
Order# DT-1015DVI-3

12" (30 cm) wire reinforced duct

NATO 4130-99-930-5937
Order# WA0721

Duct Adapter

10" (25 cm) with Snap-Lock – 2 required/blower
NSN: 4730-01-378-5288
Order# WA0411

12" (30 cm) for use with belted duct – 2 required/blower

Order# WA0511

AFNOR DN 300 Type M (French Norm)

Order# WA0711



Multiplier/Mister

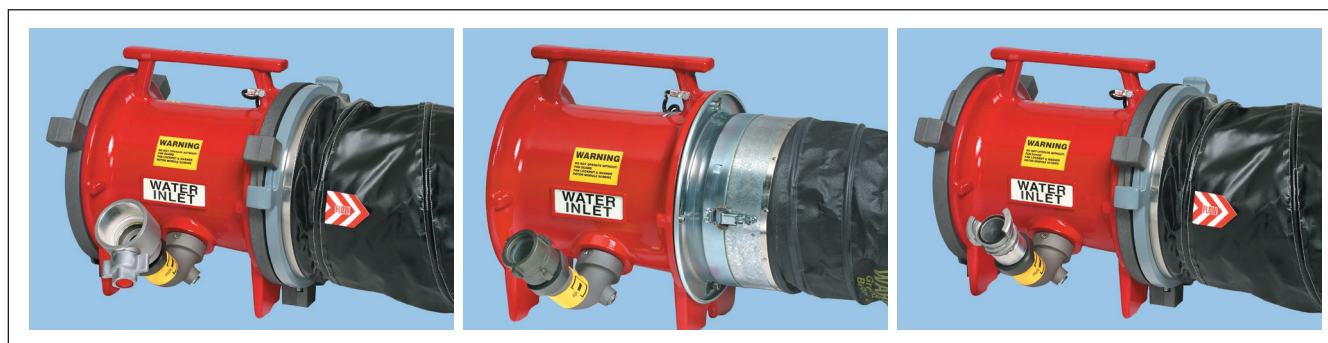


Duct Adapter



Neoprene Duct

Various Couplings available upon request



British

USA

French