

EX500

18"/46 cm

Electric Variable Speed Blower with PowerStream® Technology

Convenience and performance packaged together. The dual current EX500 can be powered by the fire truck circuit when performing PPV at the entrance of the building. With the flip of the switch, the fan is ready to be plugged into the house circuit for continued fume free ventilation indoors.

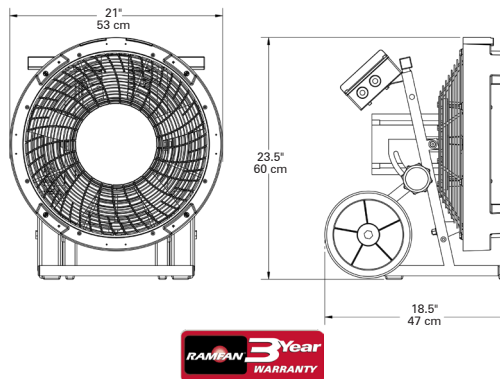
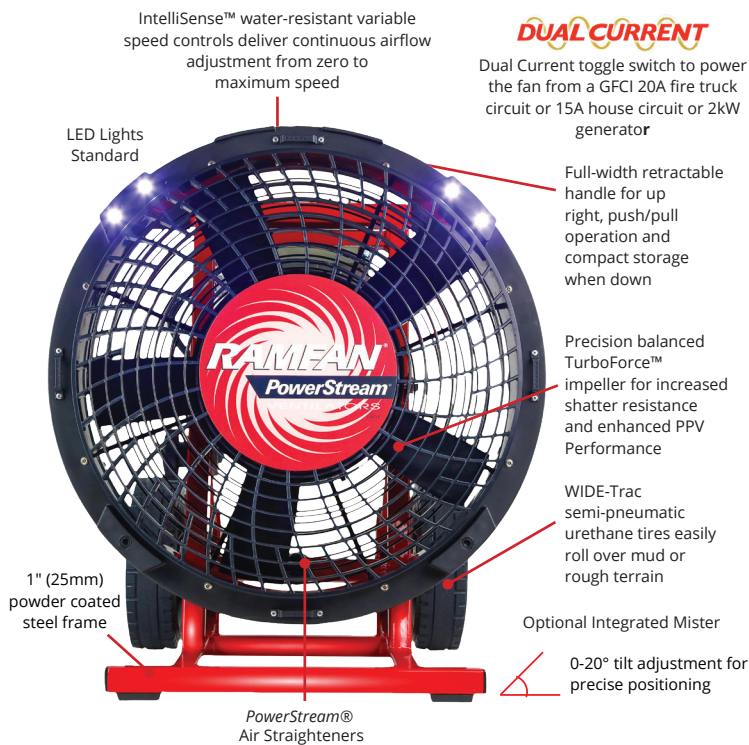
Equipped with PowerStream® air straighteners that produce a powerful, straight, focused beam of air; allowing the fan to be set back further from a structure's entrance without sacrificing PPV performance.

Specifications

Model	EX500
Part#	EK86500
Weight	70 lbs / 32 kg
Impeller	5-Blade
Dimensions (h/w/d)	23.5 x 21 x 18.5 in / 60 x 53 x 47 cm
Motor	1.5 Hp / 1.1 kW
Amps (Run)	15A or 20A
Noise	95 dB@3' (1 m) / 91 dB@10' (3 m)
Electric	115V, 1ϕ, 60Hz
Approval	CE AMCA

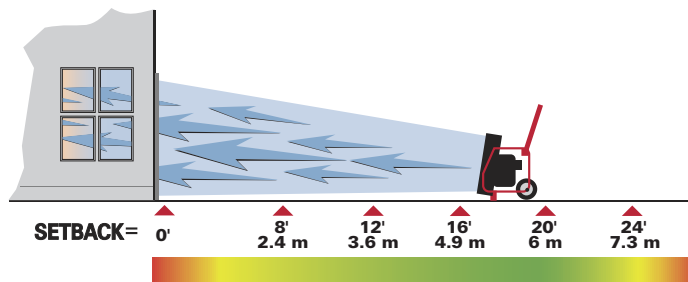
Note: Output changes as setback from the opening changes. Single door airflow is per AMCA 240-6 testing. This data derives from 0° static pressure. Real world results will be substantially reduced by structure backpressure. The EX500 tested at 16 ft (4.9 m) setback at 11° tilt and 3,764 rpm.

AMCA 240, as defined and tested by the third-party Air Movement and Control Association (AMCA), is tested through a standard area opening which represents a single-door structure opening most often used in fire fighting PPV operations. This test procedure is published and is the most accurate method for PPV airflow testing that currently exists. AMCA's testing center is available to all manufacturers of ventilators for performance verification to this standard. Due to its standardized, published testing procedure and third-party status, this is known internationally as the best testing method for comparing PPV fans. Verify performance data online at AMCA.org.



Performance

AMCA Verified Airflow	
Airflow through Single Door	11,540 cfm 19,618 m³/hr



Available Accessories

Convert to Confined Space

Rescue Fan
Order # FDT-185MSR
18"/46cm duct (16.4/5m length)



ECKO Flex™ with Carrying Bag

Order # FDT-1615BR
15' (4.6 m) long standard duct with 16" (40cm) diameter, includes carrying bag

Order # FDT-1625BR
25' (7.6 m) long standard duct with 16" (40cm) diameter, includes carrying bag



Non-collapsible, reinforced duct is constructed from flame retardant material and is crush resistant. Duct storage bag included with each duct purchase.

Integrated Misting System

Order # GH8112
1.85 gal/min @ 100 psi
7 l/min @ 6.9 bar

