
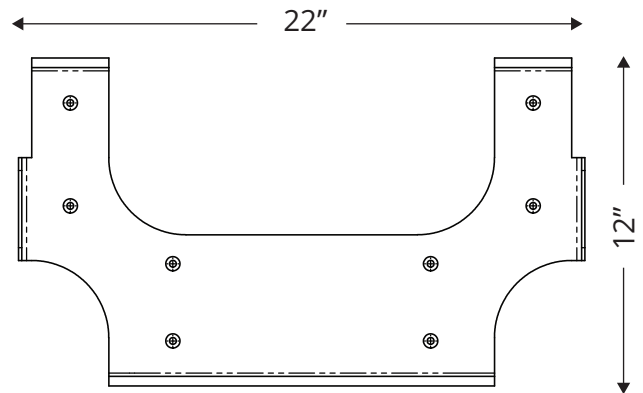
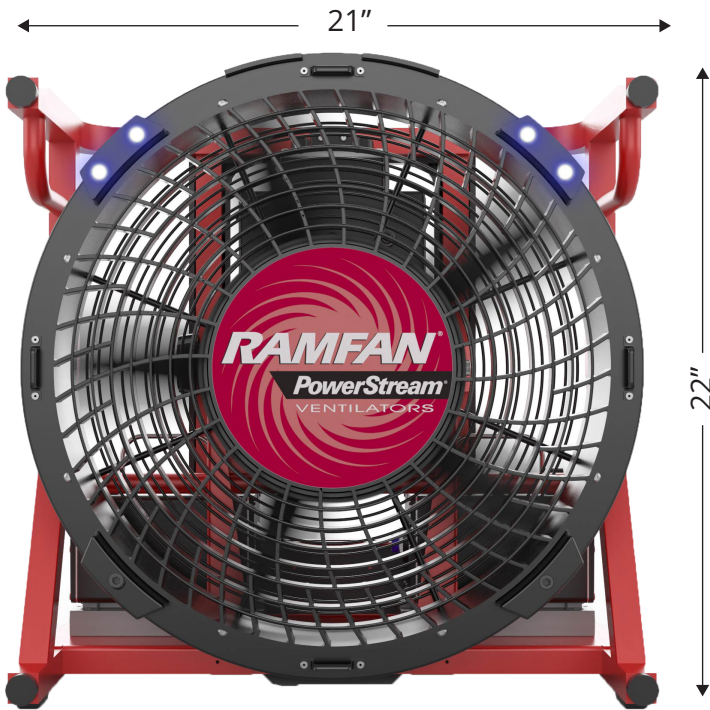



**TECHNICAL SPECIFICATIONS**
**EX50Li 18" / 46cm**

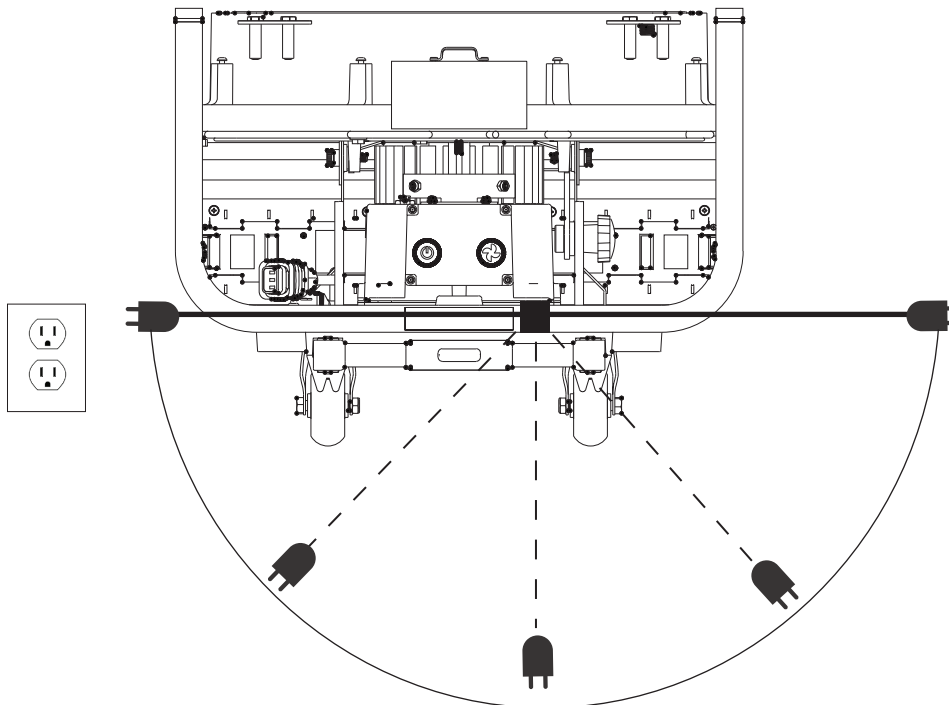
ORDER #	115V EL5500-2PK	230V EL-552302PK
<b>MOTOR</b>	1 hp BrushlessPPV™	
<b>RUNTIME @ MAX SPEED</b>	DC: 45 minutes (two battery packs) AC: Unlimited	
<b>INPUT VOLTAGE RANGE</b>	85-264V 1Φ, 50/60 HZ	
<b>CONSUMPTION (running @ 100%, AC)</b>	748W	
<b>CONSUMPTION (CHARGING)</b>	81W	
<b>CHARGER OUTPUT</b>	1.5A, per battery (simulatneous)	
<b>BATTERY SYSTEM</b>	40V Lithium-ion	
<b>BATTERY SYSTEM PERFORMANCE</b>		
<b>NOMINAL ENERGY</b>	504 Wh	
<b>MAXIMUM DISCHARGE CURRENT</b>	48A	
<b>BALANCING</b>	Adaptive Passive Method	
<b>CYCLE LIFE DoD 80%</b>	>500 Cycles (at 1C charge/discharge 100% DoD)	
<b>IP RATING</b>	IP66	
<b>COMMUNICATION</b>	Wireless NFC/BLE	
<b>RECYCLING MODE</b>		Safely Recycle by draining residual energy
<b>MAINTENANCE MODE</b>	Initiate Cell balancing in low use fans	
<b>DIMENSION</b>	22 x 21 x 12 in / 56 x 53 x 30 cm	
<b>WEIGHT</b>	54 lbs / 25 kg	
<b>NOISE</b>	< 87 dB	
<b>OPERATING TEMP RANGE</b>	-4°F to 105°F / -20°C to 40°C	
<b>CHARGE TEMP RANGE</b>	-32°F to 105°F / -0°C to 40°C	
<b>TILT</b>	-10° to 34°	
<b>CONFORMS TO:</b>	<b>CE AMCA</b>	
<b>AMCA 240-15 AIRFLOW</b>		
<b>BATTERY POWER</b>	10,120 cfm (17,194 m³ / hr)	

## TRUCKFIT

MODEL	SIZE		DIMENSIONS (HxWxD)	
	in	cm	in	cm
EX50Li Gen II	18	46	22 x 21 x 12	56 x 53 x 30



Vehicle Mount



\*Custom cord lengths available upon request