

GX600

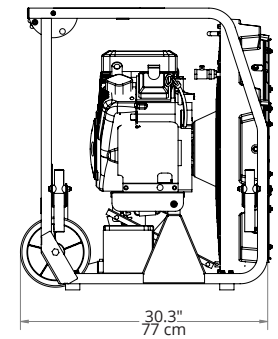
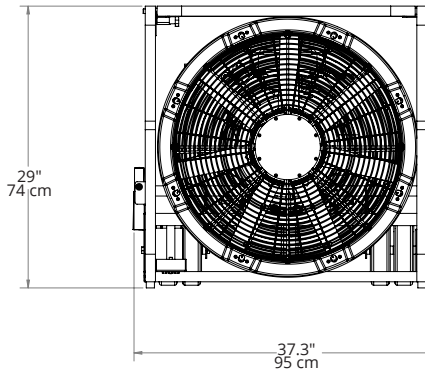
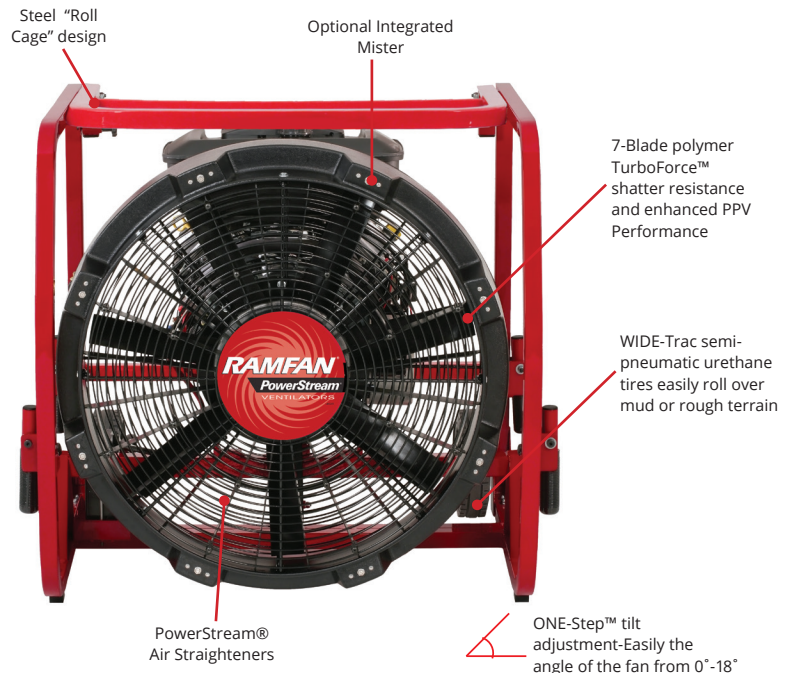
28" / 70 cm

Large Structure Ventilator

PowerStream® air straighteners produce a powerful, straight, focused beam of air; allowing the fan to be set back further from a structure's entrance without sacrificing PPV performance. The GX600 offers superior ventilation with flexible positioning, less equipment clutter and reduced noise inside the structure. With the large amount of airflow, the fan is powerful enough to use for large structure ventilation.

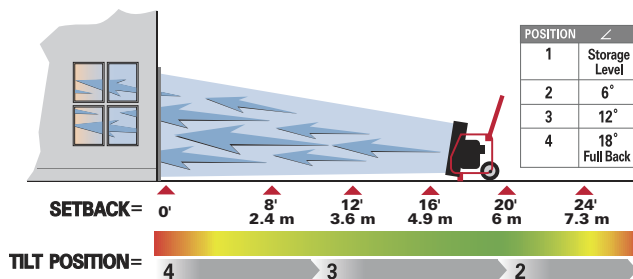
Specifications

Model	GX600
Part#	GJ5005
Weight	175 lbs / 80 kg
Impeller	7-Blade
Dimensions (h/w/d)	34.5 x 37.3 x 30.3 in / 88 x 95 x 77 cm
Engine	Vanguard 18 Hp / 13.4kW V-Twin OHV mod .35
Noise	105 dB@3' (1 m) / 103 dB@10' (3 m)
Run Time	2 hrs 40 min
Approval	CE



Performance

PPV AIRFLOW	
Opening Size	
Double Door Warehouse	32,500 cfm (55, 250m³/hr) 49,000 cfm (83, 300m³/hr)



Available Accessories



Integrated Misting System
 1.85 gal/min @ 100 psi
 7 l/min @ 6.9 bar
 Order # GJ8111