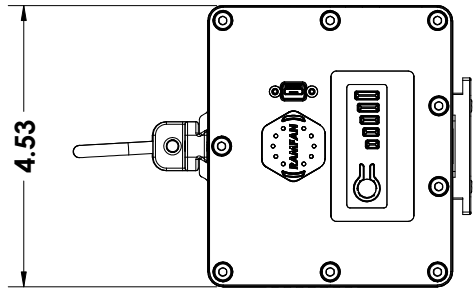
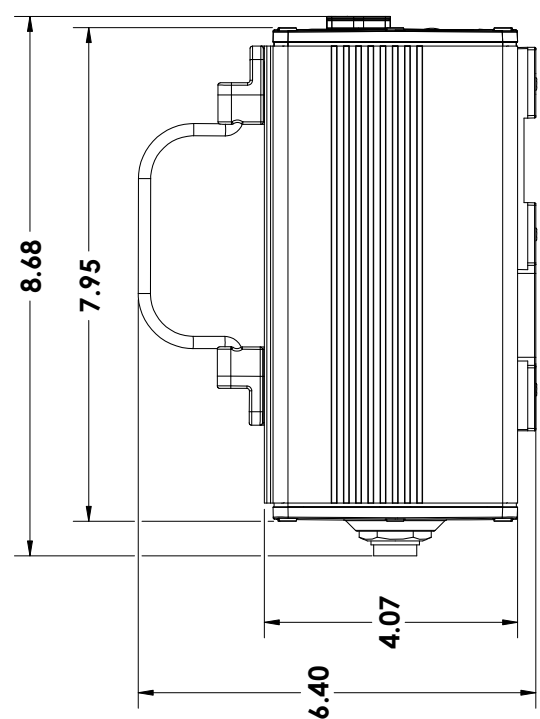
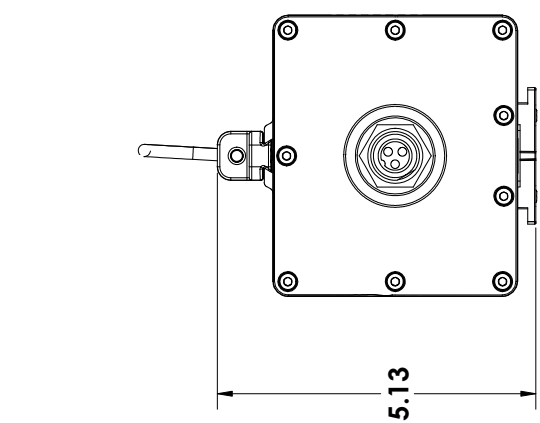


THE INFORMATION CONTAINED IN THIS DRAWING IS THE SOLE PROPERTY OF Euramco Safety Inc. ANY REPRODUCTION IN PART OR WHOLE WITHOUT THE WRITTEN PERMISSION OF Euramco Safety Inc. IS PROHIBITED.

REVISIONS			
ZONE	REV.	DESCRIPTION	DATE

D



WEIGHT: 7½ Lbs

A

<p>UNLESS OTHERWISE SPECIFIED DIMENSIONS ARE IN INCHES (MM) TOLERANCES APPLY TO PRIMARY INCH DIMENSION AND ARE AS INDICATED: FRACTIONS: DECIMALS: ANGLES ±1/64 .XX ±.02 ±.30 .XXX±.005</p>	<p>ALL GENERATED DRAWINGS DO NOT MANUALLY UPDATE DRAWING INTERPRETATION AND DIMENSIONS ARE IN INCHES UNLESS OTHERWISE SPECIFIED DO NOT SCALE DRAWING</p>	<p><b>Euramco Safety Inc.</b> Description: <b>BATTERY PACK</b> DWG. NO.:</p>
--	--	--

APPROVALS		DATE	Configuration
DRAWN			USB
APPROVED			

<p>FIRST ANGLE PROJECTION</p>	<p>MODE FILE NAME: PART NO.</p>	<p>MODE FILE NAME: PART NO.</p>	<p>MODE FILE NAME: PART NO.</p>
-------------------------------	-------------------------------------	-------------------------------------	-------------------------------------

DRAWING FILE NAME: PART NO. SHEET 1 OF 1