

18V EX50Li

1hp BrushlessPPV



Positive Pressure Blower for enclosed structures or spaces.

For when power and water resistance is not a priority, the RAMFAN EX50Li-18V is designed for small volume desmoking of rooms or small structures—compatible with the common 18 V commercial batteries of your extrication and handheld power tools. Use the batteries and chargers you already have in service. Integrated LED Flood Lights illuminate the entry point of a structure during night operations and provide visual low voltage warning.

Key Features

Rollover Protection System (ROPS) Update	Prioritizing user safety, our fan detects falls, instantly stopping the impeller to minimize injury risk and impeller failure.
Low Voltage Warning	Improve your situational awareness day or night; as batteries deplete to <5 minute runtime remaining, front LEDs flash - any control input cancels warning.
Upgraded Frame	Robust aircraft-grade aluminum tubing, improved molded cord holder, and rubber feet placement for downholw and attic venting.
Compatible with Milwaukee high capacity battery packs	Since February 2025 (serial prefix: 8920015), the M18 FORGE 12Ah battery packs are compatible with the EX50Li-18V.

18V EX50Li 1hp BrushlessPPV



Integrated scene lights



Confined Spaces



Compatible with Milwaukee & DeWalt high capacity battery packs



Removable wheels.



Designed for small areas

18V for small flow desmoking of rooms or small residential structures—compatible with the commercial batteries of your extrication and handheld power tools.

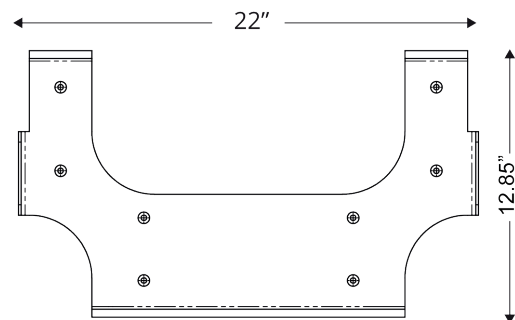


18V Diagram

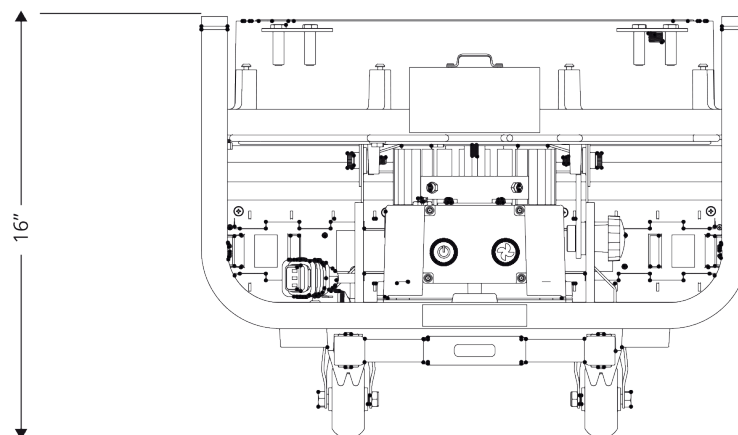


TRUCKFIT

FAN	SIZE		DIMENSIONS (HxWxD)	
	in	cm	in	cm
18V	18	46	22 x 21 x 16	56 x 53 x 41



Vehicle Mount



Technical Specifications

EX50Li (18V_{DC}) 18" / 46 cm

Order#	EL5518D (DeWalt Compatible)	EL5518M (Milwaukee Compatible)
Motor	1 hp BrushlessPPV™	
Runtime @ Max. Speed	DC: 26 minutes - 8 Ah batteries 40 minutes - 12 Ah batteries 50 minutes - 15 Ah batteries AC: unlimited	
Input Voltage Range	Universal Input: 85 - 264 V _{AC} 1Ø, 50/60 Hz	
Battery System	18V, 216/12Ah Milwaukee 20V, 270/15Ah DeWalt	
Dimensions	22 x 21 x 16 in / 56 x 53 x 41 cm 22 x 21 x 12 in / 56 x 53 x 30 cm (wheel kit removed)	
Weight	without batteries: 54 lbs / 24 kg	
Noise	< 90 dB	
Operating Temp Range	-4°F to 105°F / -20°C to 40°C	
Tilt	-6° to +34°	
Approvals	CE AMCA	
AMCA Verified Airflow		
DC Power Supply	10,352 cfm (17,585 m ³ /hr)	