

# RAMFAN 40V G2+ BrushlessPPV™

1hp BrushlessPPV™



## Quick and Efficient All-Purpose Battery Ventilator

The 2nd Generation RAMFAN EX50Li is built around the Intellisense E3 controller, which now features a new OLED screen, delivering smarter power management, ROPS (roll-over protection) with auto-shutdown for user safety, LED flood lights with visual low voltage warning, on-tool charging, fan-level PRO//connect diagnostics and remote controllability (not-battery only).

## Key Features

---

|   |   |
|---|---|
| <b>Rollover Protection System (ROPS) Update</b> | Prioritizing user safety, our fan detects falls, instantly stopping the impeller to minimize injury risk and impeller failure.                              |
| <b>Low Voltage Warning</b>                      | Improve your situational awareness day or night; as batteries deplete to <5 minute runtime remaining, front LEDs flash - any control input cancels warning. |
| <b>Upgraded Frame</b>                           | Robust aircraft-grade aluminum tubing, improved molded cord holder, and rubber feet placement for downhold and attic venting.                               |
| <b>New OLED screen</b>                          | The G2+ controller now features a new OLED screen that displays Battery Level, Runtime, fan-level PRO//connect diagnostics, and Warning/Error Messages.     |

## RAMFAN 40V G2+ BrushlessPPV™ 1hp BrushlessPPV™



Integrated scene lights



PRO//connect wireless diagnostics with advanced maintenance features and remote controllability (not battery-only).



New OLED screen displaying warning and error messages as well as battery levels.



Wheel Kit allows firefighters to pull the fan step-by-step in a fast, efficient order.



## Refined into the pinnacle of tactical ventilation tools.

With over 5 years, and 3,000+ units deployed into service, the EX50Li is the world's most trusted battery-powered PPV fan. The 2nd Generation RAMFAN EX50Li is built around the Intellisense E3 controller, delivering smarter, power management, BMS redundancy, on-tool charging, and Pro//connect compatibility. Intuitive user interface for 1, 2, GO operation. Two large, hard-anodized control knobs give users the ultimate inglove-compatible fan control.

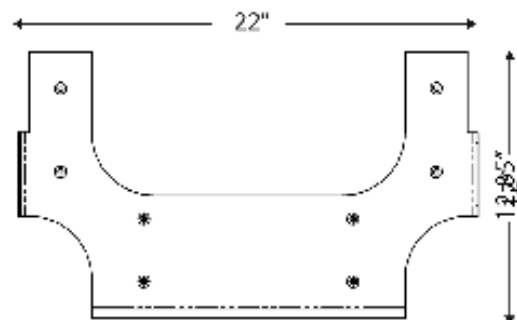


### RAMFAN 40V G2+ BrushlessPPV™ Diagram

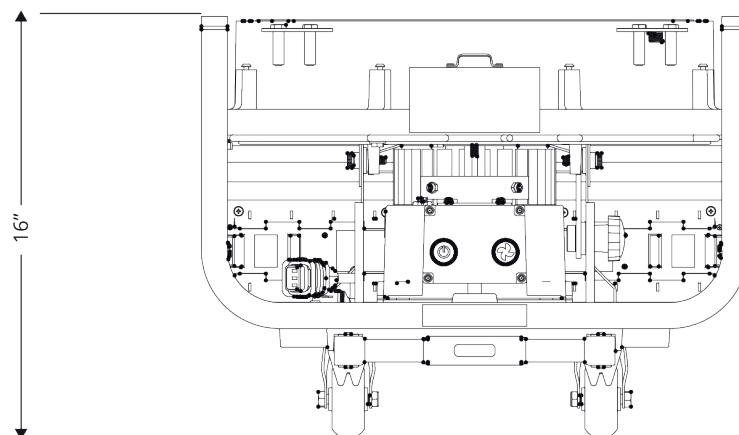


#### TRUCKFIT


| VENT LATERAL | TALL | DIMENSIONS (D.G.A.M) |              |
|--------------|------|----------------------|--------------|
|              |      | In                   | cm           |
| 180          | 70   | 40                   | 22 x 21 x 16 |
|              |      |                      | 14 x 11 x 11 |



Vehicle Support



## Technical Specifications

| Model Number                          | PRO//connect   | Makita                          |
|---------------------------------------|--|---------------------------------|
| Order #                               | 115V <sub>ac</sub><br>230V <sub>ac</sub>   | EL5500-2PK<br>EL5500-230-2PK    |
| Motor                                 | 1 hp Brushless PPV™  |                                 |
| Runtime @ Max. Speed                  | DC: 45 minutes (40V/6Ah)<br>60 minutes (40V/10Ah)<br>AC: Unlimited                   |                                 |
| Input Voltage Range                   | Universal Input: 85-264V <sub>ac</sub> , 1Ø, 50/60 Hz                                |                                 |
| Consumption AC (Running @ 100%)       | 700W   |                                 |
| Consumption (During On-Tool Charging) | 126W   | On-tool charging not supported  |
| Charger Output                        | 3A/1.5A per battery (simultaneous)   | On-tool charging not supported  |
| Battery System                        | 40V Lithium-ion  | Makita XGT 40V max8.0 Ah Li-ion |
| Battery System Performance            |  |                                 |
| Nominal Energy                        | 720Wh  |                                 |
| Maximum Discharge Current             | 20A  |                                 |
| Balancing                             | Adaptive Passive Method  | See Makita specification        |
| Cycle Life DoD 80%                    | >500 Cycles  |                                 |
| IP Rating                             | IP66   |                                 |
| Communication                         | Wireless NFC/BLE   |                                 |
| Recycling Mode                        | Residual draining  |                                 |
| Maintenance Mode                      | Initiate Cell Balancing  |                                 |
| Dimension                             | 22 x 21 x 16 in/56 x 53 x 41cm<br>22 x 21 x 12 in/56 x 53 x 30cm (wheel kit removed) |                                 |
| Weight                                | 54 lbs / 25 kg   |                                 |
| Noise                                 | 3'(1m)   |                                 |
| Operating Temp Range                  | -4°F to 105°F / -20°C to 40°C  |                                 |
| Charge Temp Range                     | -32°F to 105°F / -0°C to 40°C  |                                 |
| Tilt                                  | -6° to +34°  |                                 |
| Conforms To                           |  |                                 |