

40V EX50Li

1hp BrushlessPPV



Quick and Efficient All-Purpose Battery Ventilator

The 2nd Generation RAMFAN EX50Li is built around the Intellisense E3 controller, delivering smarter power management, ROPS (roll-over protection) with auto-shutdown for user safety, LED flood lights with visual low voltage warning, and on-tool charging.

Key Features

Rollover Protection System (ROPS) Update	Prioritizing user safety, our fan detects falls, instantly stopping the impeller to minimize injury risk and impeller failure.
Low Voltage Warning	Improve your situational awareness day or night; as batteries deplete to <5 minute runtime remaining, front LEDs flash - any control input cancels warning.
Upgraded Frame	Robust aircraft-grade aluminum tubing, improved molded cord holder, and rubber feet placement for downholw and attic venting.

40V EX50Li 1hp Brushless PPV



Integrated scene lights



PRO//connect wireless diagnostics with advanced maintenance features



Integrated misters rapidly cool and rehabilitate.



Wheel Kit allows firefighters to pull the fan step-by-step in a fast, efficient order.



Refined into the pinnacle of tactical ventilation tools.

With over 8 years, and 3,000+ units deployed into service, the EX50Li is the world's most trusted battery-powered PPV fan. The 2nd Generation RAMFAN EX50Li is built around the Intellisense E3 controller, delivering smarter, power management, BMS redundancy, on-tool charging, and Pro//connect compatibility. Intuitive user interface for 1, 2, GO operation. Two large, hard-anodized control knobs give users the ultimate inglove-compatible fan control.

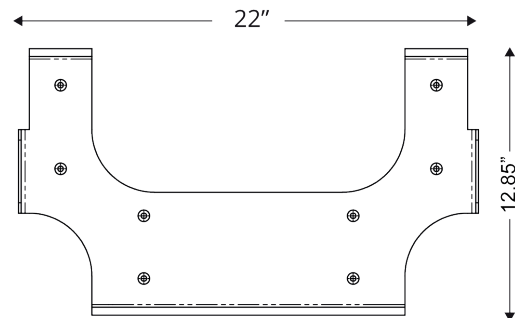


40V Diagram

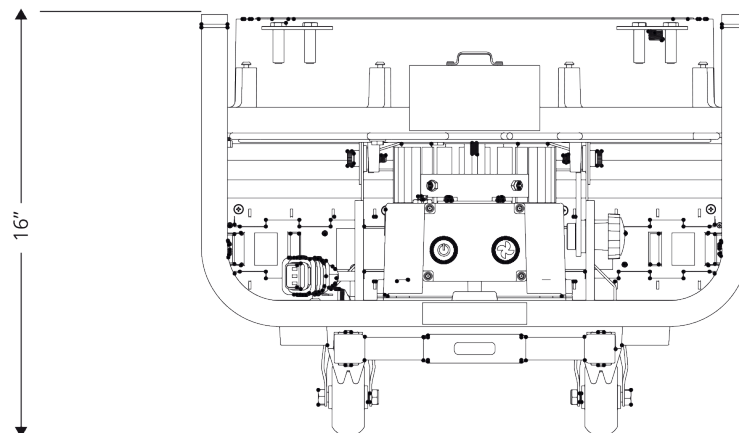


TRUCKFIT

FAN	SIZE		DIMENSIONS (HxWxD)	
	in	cm	in	cm
18V	18	46	22 x 21 x 16	56 x 53 x 41



Vehicle Mount



Technical Specifications

Model Number	PRO//connect	Makita
Order #	115V _{ac} 230V _{ac}	EL5500-2PK EL55230-2PK M5-40V
Motor	1 hp Brushless PPV _m	
Runtime @ Max. Speed	DC: 45 minutes (6Ah) 75 minutes (10Ah) AC: Unlimited	
Input Voltage Range	Universal Input: 85-264V _{ac} , 1Ø, 50/60 Hz	
Consumption (Running @ 100%, AC)	700W	
Consumption (During On-Tool Charging)	81W	On-tool charging not supported
Charger Output	3A/1.5A per battery (simultaneous)	On-tool charging not supported
Battery System	40V Lithium-ion	Makita XGT 40V max8.0 Ah Li-ion
Battery System Performance		
Nominal Energy	432 Wh (6Ah) (x2 batteries) 720 Wh (10Ah) (x2 batteries)	See Makita specification
Maximum Discharge Current	20 A	
Balancing	Adaptive Passive Method	
Cycle Life DoD 80%	>500 Cycles	
IP Rating	IP66	
Communication	Wireless NFC/BLE	
Recycling Mode	Residual draining	
Maintenance Mode	Initiate Cell Balancing	
Dimension	22 x 21 x 16 in/56 x 53 x 41cm 22 x 21 x 12 in/56 x 53 x 30cm (wheel kit removed)	
Weight	54 lbs / 25 kg	
Noise	<87 dB	
Operating Temp Range	-4°F to 105°F / -20°C to 40°C	
Charge Temp Ranger	-32°F to 105°F / -0°C to 40°C	
Tilt	-6° to +34°	
Conforms To	