



SCAN ME



TECHNICAL SPECIFICATIONS

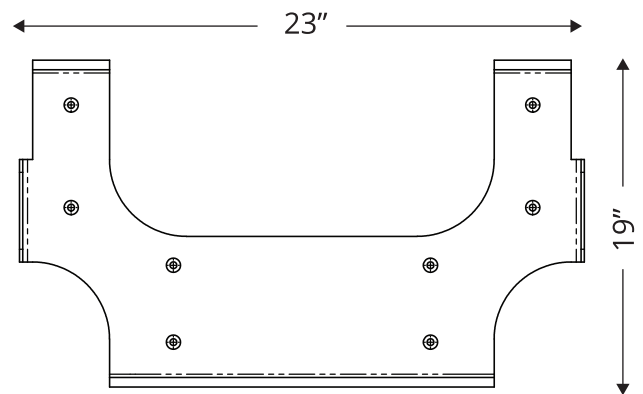
EX150Li (52V_{DC}) 18" / 46 cm

ORDER #	115 V _{AC} EL6525-2PK	230 V _{AC} EL6525-E-2PK
MOTOR	2 hp BrushlessPPV™	
RUNTIME @ MAX SPEED	DC: 45 minutes (two battery packs) AC: Unlimited	
INPUT VOLTAGE RANGE	Universal Input: 85 - 264 V _{AC} , 1Φ, 50/60 Hz	
CONSUMPTION (running @ 100%, AC)	1638 W	
CONSUMPTION (CHARGING)	81 W	
CHARGER OUTPUT	1.5 A per battery (simultaneous)	
BATTERY SYSTEM	52V Lithium-ion	
BATTERY SYSTEM PERFORMANCE		
NOMINAL ENERGY	749 Wh	
MAXIMUM DISCHARGE CURRENT	112 A	
BALANCING	Adaptive Passive Method	
CYCLE LIFE DoD 80%	>500 Cycles (at 1C charge/discharge 100% DoD)	
IP RATING	IP66	
COMMUNICATION	Wireless NFC/BLE	
RECYCLING MODE	Safely Recycle by draining residual energy	
MAINTENANCE MODE	Initiate Cell balancing in low use fans	
DIMENSION	23 x 21 x 21 in / 58 x 53 x 53 cm	
WEIGHT	63 lbs / 29 kg	
NOISE	< 90 dB	
OPERATING TEMP RANGE	-4°F to 105°F / -20°C to 40°C	
CHARGE TEMP RANGE	-32°F to 105°F / -0°C to 40°C	
TILT	-6° to +34°	
CONFORMS TO:	CE AMCA	
AMCA 240-15 AIRFLOW *Independent Verification		
BATTERY POWER	12,377 cfm (21,041 m ³ / hr)	

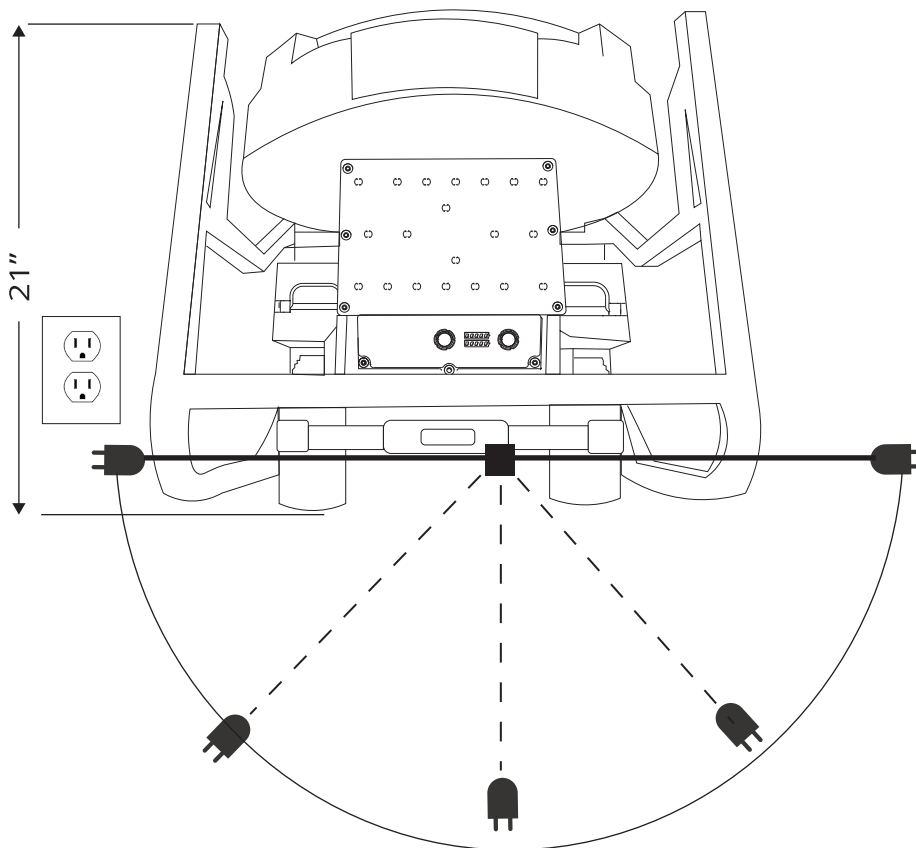


TRUCKFIT

FAN	SIZE		DIMENSIONS (HxWxD)	
	in	cm	in	cm
52V	18	46	23 x 21 x 21	58 x 53 x 53



Vehicle Mount



10"
AC outlet placement
for ontool charging

**Custom cord lengths available upon request*