

EFC50/EFC120/EFC150

16"/40 cm
Versatile Ventilators

These EFC Series Smoke Ejectors are built with a high-impact, heat-resistant Lexan® housing for use in confined space for venting non-hazardous airborne vapors and particulates.

The Polymer TurboForce™ impeller is engineered to enhance performance as well as maximizing the airflow. With the high velocity airflow, it allows the fan to reduce its smoke ejection time effectively during ventilation.

Specifications

Model	EFC50 (115V/230V)		EFC120 (230V)	EFC150 (115V/230V)	
Part	EA7000	EA7000-230	EA7300	EG8000	EG8000-230
Weight	49 lbs / 22 kg		55 lbs / 25 kg	61 lbs / 28 kg	
Dimensions (h/w/d)	19 x 18 x 12 in (48 x 46 x 31 cm)		19 x 18 x 16 in (48 x 46 x 41 cm)	19 x 18 x 12 in (48 x 46 x 31 cm)	
Amps: Start Run	115V: 21A 115V: 6A	230V: 10A 230V: 3A	27A 5A	115V: 80A 115V: 15A	230V: 40A 230V: 8A
Motor	0.5 Hp / 0.37 kW		1.2 Hp / 0.9 kW	1.5 Hp / 1.1 kW	
Noise	90.2 dB @ 3' (1 m)		86.1 dB @ 3' (1 m)	90.2 dB @ 3' (1 m)	
Electric	115/230V, 1Ø, 50/60Hz		230V, 1Ø, 50Hz	115/230V, 1Ø, 50/60Hz	
Approval	CE			-	

Airflow	EFC50	EFC120	EFC150
Free Air	3,200 cfm (5,440 m³/hr)	3,750 cfm (6,375 m³/hr)	4,459 cfm (7,580 m³/hr)
Through Duct 15'/4.6 m w/ one 90° turn:	1,935 cfm (3,289 m³/hr)	2,700 cfm (4,590 m³/hr)	3,179 cfm (5,404 m³/hr)

High-impact, heat resistant Lexan® polycarbonate housing

4-corner handles for fast set-up and storage

High velocity flow decreases smoke ejection time dramatically

Polymer TurboForce™ Impeller for increased shatter resistance and enhanced performance

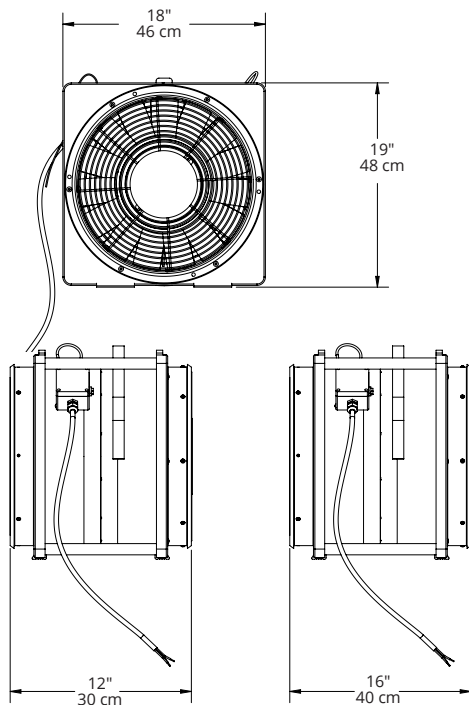


Compact design stacks easily

Built for smoke ejection in confined spaces



Dimensions



Available Accessories

Disposable Duct

Order # FDT16DISP
16" (40 cm) diameter Disposable Layflat Polyethylene duct sold by the foot/meter



Layflat Duct

Order # FDT1625SME
16" (40cm) Unreinforced layflat duct, 25' (7.6 m)



16" (40cm) Multi-Purpose Accessory Kit

Order # BG16LFA



Tilt Bracket

Order # EA9145



Door Bar and Hanger Kit

Order # EA7095k



ECKO Flex™ with Carrying Bag

Order # FDT-1615BR - 16" (40cm) standard duct 15' (4.6 m), w/ carrying bag

Order # FDT-1625BR - 16" (40cm) standard duct 25' (7.6 m), w/ carrying bag

