

VENTURI CONE

T u r b o v e n t i l a t o r

Models:
RV760S
RV760
RV1500

TECHNICAL INFORMATION



SM-CONES

RAMFAN
TURBO BLOWERS

OPERATION AND SAFETY PRECAUTIONS

Application

High out-put ventilation for confined spaces and ideal for improving breathing conditions in hazardous locations:

- * Shipyards
- * Cargo Tanks
- * Vessels
- * Navy Ships
- * Railroads
- * Tank Cars
- * Construction Sites
- * Crawl Areas
- * Steel Mills
- * Refineries
- * Chemical Plants
- * Manufacturers
- * Paper Mills
- * Equipment that needs cooling
- * Aircraft Maintenance areas
- * Manholes

Operation

Powered by compressed air or saturated steam

Operate these air movers on compressed air or saturated steam lines limited to pressures of 100 PSI

Operates on the Venturi principle of using small volumes of high velocity air (from a compressed source) pushing the air through the cone body creating entrained air (pulling action) that induces large volumes of low velocity air through the cone and out the air diffuser

The only set up required is running a line from the compressor or steam source and connecting it to the inlet fitting

Fits standard 3" and 6" API openings

Anti-Static with a crush proof conductive polymer diffuser

Weather proof and chemical resistant

No moving Parts - minimum maintenance and lightweight for easy portability

Optional Static Cord, pressure gauge available

Safety Precautions

Due to the high reaction force, be sure to firmly position and secure unit before turning on the air supply.

Keep area free of loose debris or solid objects to prevent them from entering the inlet housing.

Prevent clogging of the nozzle jets, and periodically steam clean them for proper maintenance.

Warning!

Connect only to compressed or saturated steam lines limited to pressures of 100 psi.

Connection of this product to pressure lines should be restricted to qualified personnel.

Properly ground this product to prevent static discharge when used in areas containing combustible gas, vapor, or dust.

Do not drag the aluminum base of this product across steel which can create a smear. A heavy smear, when struck with some object, can cause an incendiary spark.

Warranty

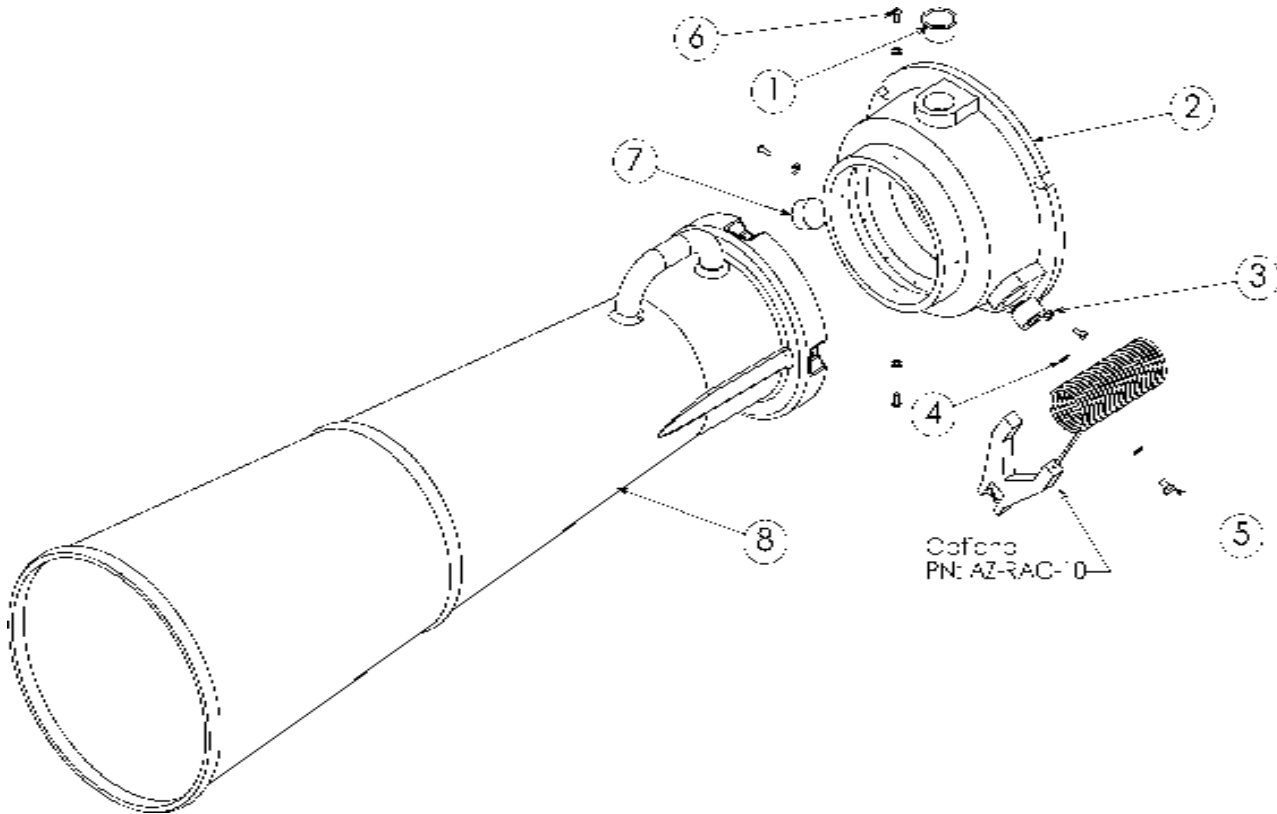
Portable Blowers: Portable Blowers are warranted against defects in material and workmanship for a period of one year from the date of original purchase. Duct is not warranted due to its intended use. *

*** Authorization for warranty repairs must be obtained from the factory. There are no other warranties expressed or implied.**

VENTURI CONE

Turboventilator

Models:
RV760S
RV760
RV1500



BUBBLE NO.	RV760 Part Number	RV1500 Part Number	DESCRIPTION
1	FZ-4491K58	FZ-4491K59	Pipe Thread Protector
2	RV761	RV1501	Venturi Body
3	FZ-LWASH-A01	FZ-LWASH-A01	#10 Lockwasher, Tooth
4	FZ91434	FZ91434	1/4" Lockwasher, Ext. Tooth
5	FA9506456	FA9506456	1/4-20 X 3/8" H/H Capscrew. GR. 5
6	FZ9103460-BH	FZ9103460-BH	10-24 X 1/2" B/H Capscrew, SS
7	FH95205	FH95249	Pipe Plug Square Socket
8	RV762	RV1502	Venturi Horn

RV760 & RV1500 GENERAL SPECIFICATIONS

Total Air Flow at Various Inlet Pressures: *

Model	40 psig		60 psig		80 psig	
RV760S	810 cfm	1375 m3/h	988 cfm	1678 m3/h	1180 cfm	2004 m3/h
RV760	1001 cfm	1700 m3/h	1267 cfm	2151 m3/h	1439 cfm	2443 m3/h
RV1500	2740 cfm	4653 m3/h	2978 cfm	5057 m3/h	3329 cfm	5653 m3/h

Consumed Air at Various Inlet Pressures: *

Model	40 psig		60 psig		80 psig	
RV760S	22 scfm		40 scfm			58 scfm
RV760	22 scfm		40 scfm			58 scfm
RV1500	59 scfm		92 scfm			124 scfm

Free Air Induction Ratios at Various Inlet Pressures: *

Model	40 psig		60 psig		80 psig	
RV760S	37		25			20
RV760	46		32			25
RV1500	46		32			27

Standard Measurements:

Model	Overall Length		Diameter Base		Diameter Top	
RV760S	16"		3"			5 1/4"
RV760	33"		3"			7 1/8"
RV1500	42"		6"			12 1/4"

Model	NPT Size	Bolt Circle Diameter		Base Slot Diameter	
RV760S	1/2"		6.56"		0.4
RV760	1/2"		6.56"		0.4
RV1500	1"		10.5"		0.4

Model	Net Weight
RV760S	4.5 lbs.
RV760	6 lbs.
RV1500	15 lbs.

* RAMFAN Venturi Cones have been tested and the free flow ratings listed above are based on tests to AMCA Standard B-210.

* Maximum 100 psig recommended inlet to connection of body.